



M or MTS Series Oil Filtration Systems Serviceable Parts Manual

Updated on May 24, 2023

Part #19-00133 REV D

Puradyn Filter Technologies Inc.
2017 High Ridge Road
Boynton Beach, FL 33426 USA

Customer Service/Orders/Technical Assistance

Toll Free: 1-866-PURADYN (787-2396)

Telephone: +1 561 547 9499

Fax: +1 561 547 8629

E-mail: customerservice@puradyn.com

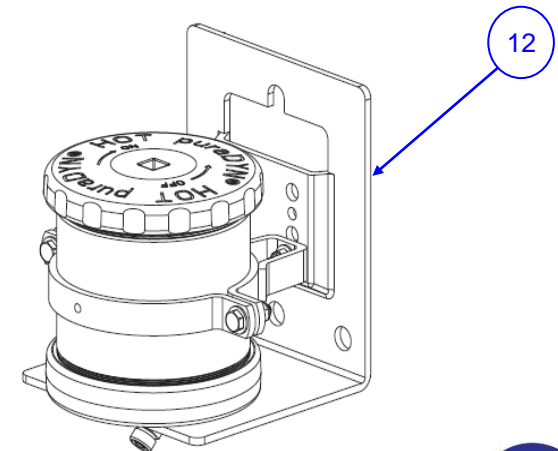
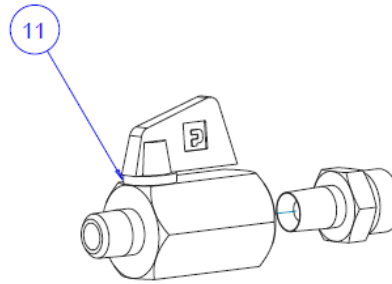
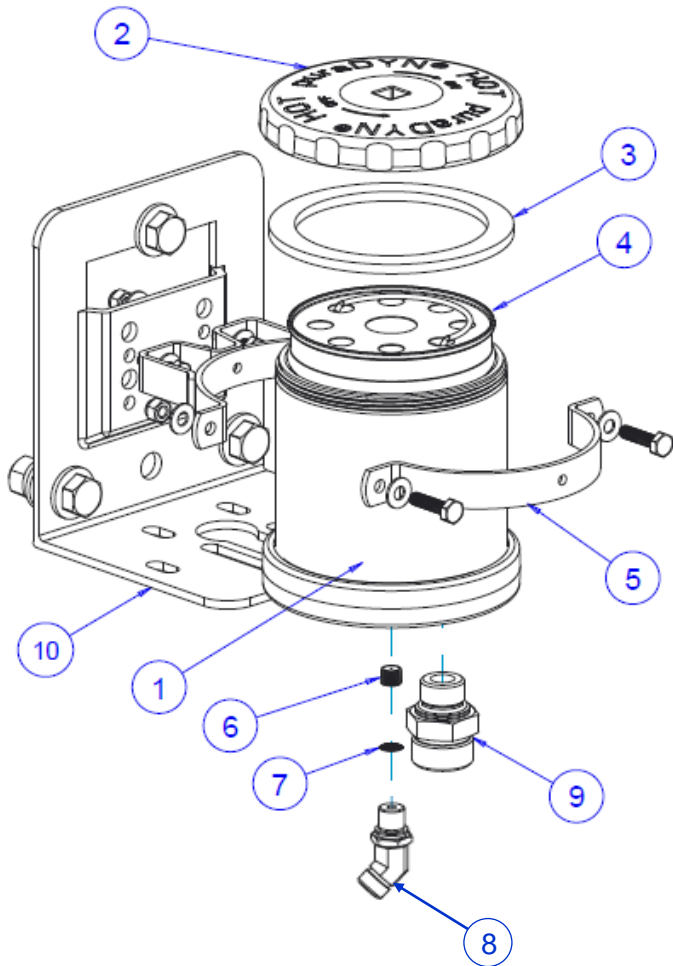
URL: www.puradyn.com

Table of Contents

| | |
|-------------------------------|----|
| M03 or MTS-8 SYSTEM | 3 |
| M06W or MTS-8x12 SYSTEM | 4 |
| M06 or MTS-12 SYSTEM | 5 |
| M10 or MTS-24 SYSTEM | 6 |
| M25 or MTS-40 SYSTEM | 7 |
| M45 or MTS-60 SYSTEM | 8 |
| M85 or MTS-240 SYSTEM | 9 |
| HOSES & HOSE FITTINGS | 10 |

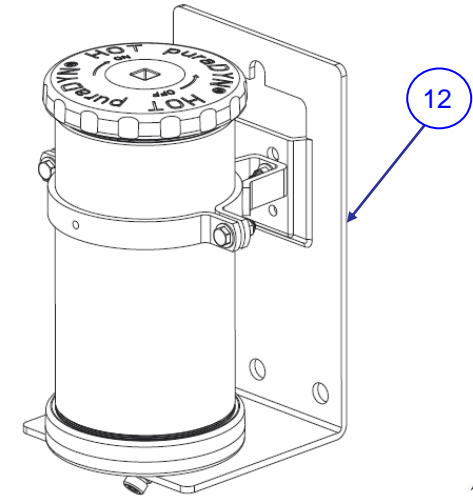
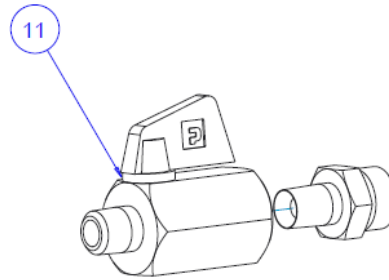
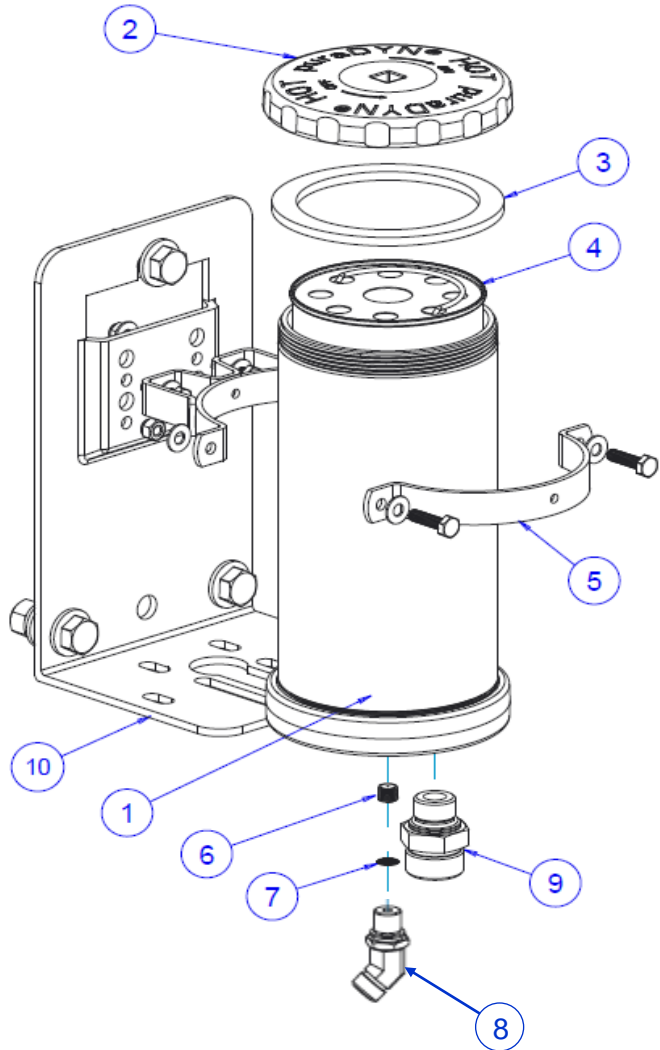
M03 OR MTS 8 SYSTEM

| ITEM | PART No. | SERVICEABLE PART & SUBASSEMBLY DESCRIPTION | QTY |
|------|------------|--|-----|
| 1 | 15-00186 | Kit, Main Body Assembly M03 or MTS-8 (Includes Sleeve and Head) | 1 |
| 2 | 15-00107 | Kit, Lid (Includes Lid and Rubber Lid Gasket) | 1 |
| 3 | 18-00013 | Rubber Lid Gasket (sold in packs of 4) | 1 |
| 4 | | Filter, Size M03 or MTS-8 (sold in packs of 4) (See Filter Listing Manual 19-00201 for Available Filters) | 1 |
| 5 | 15-00162 | Kit, Clamp Set with Bolts, M 3/6/6W (MTS 8/8x12/12) (Includes one "W" and one "C" Clamp) | 1 |
| 6 | | Fitting, Metering Jet – Must be ordered w/ pack of P/N 07-00016 (Contact customer Service direct for parts) | 1 |
| 7 | 07-00016 | Metering Jet Screen (sold in packs of 12) | 1 |
| 8 | 14-00279 | Fitting, 45 Deg. M12 - 1.5 Male ISO 6149 x -4 ORFS Male | 1 |
| 9 | 14-00295 | Fitting, M22 - 1.5 Male ISO 6149 x -8 ORFS Male | 1 |
| 10 | 15-00246 | Kit, L-bracket with Bolts, M03 or MTS-8 | 1 |
| 11 | 15-00058 | Oil Supply Port Connection Kit, 1/8" Ball-Valve, 1/4" x -4 ORFS fitting | 1 |
| 12 | 15-00146-S | Serviceable Main Assembly (Includes Unit, Clamp Set, Bracket Kit, Metering Jet, Fittings); * must specify filter element type | 1 |

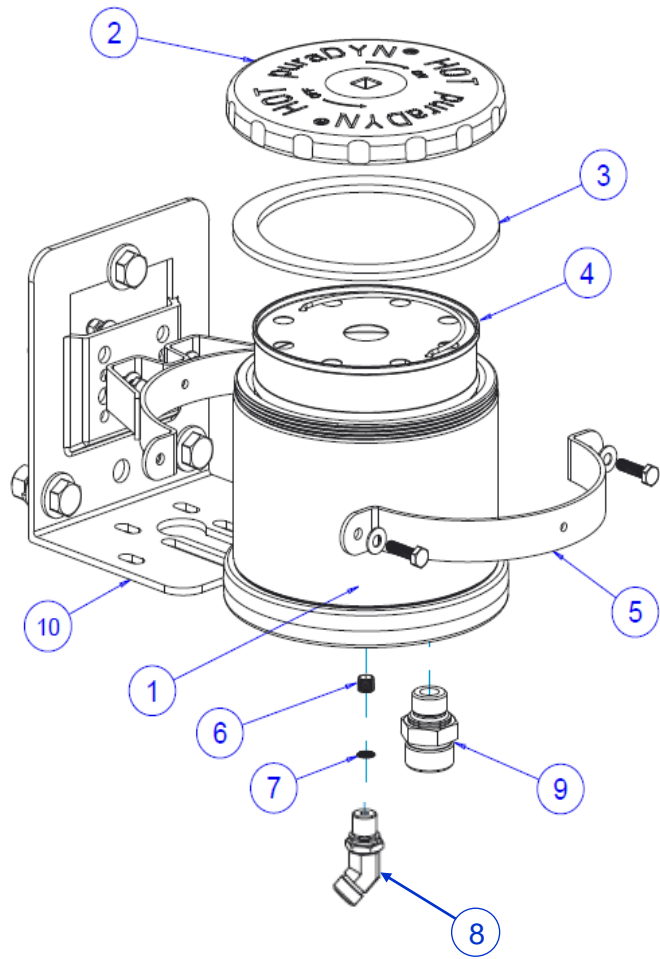


M06 OR MTS 8X12 SYSTEM

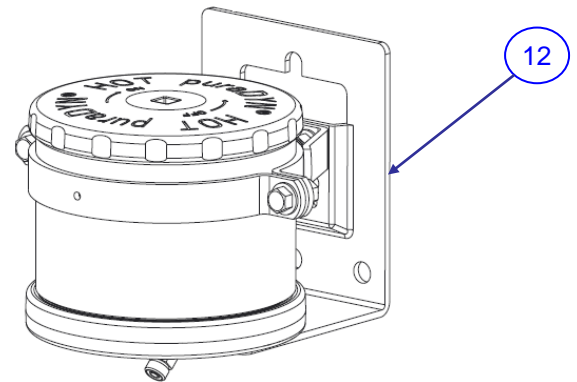
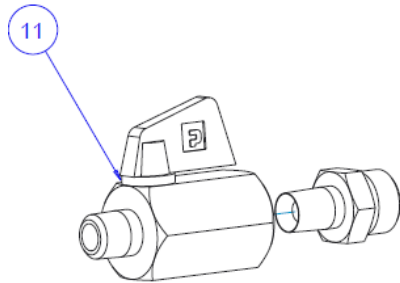
| ITEM | PART No. | SERVICEABLE PART & SUBASSEMBLY DESCRIPTION | QTY |
|------|------------|--|-----|
| 1 | 15-00187 | Kit, Main Body Assembly M06 or MTS8x12 (Includes Sleeve and Head) | 1 |
| 2 | 15-00107 | Kit, Lid (Includes Lid and Rubber Lid Gasket) | 1 |
| 3 | 18-00013 | Rubber Lid Gasket (sold in packs of 4) | 1 |
| 4 | | Filter, Size M06 or MTS 8x12 (sold in packs of 4) (See Filter Listing Manual 19-00201 for Available Filters) | 1 |
| 5 | 15-00162 | Kit, Clamp Set with Bolts, M 3/6/6W or MTS 8/8x12/12 (Includes one "W" and one "C" Clamp) | 1 |
| 6 | | Fitting, Metering Jet– Must be ordered w/ pack of P/N 07-00016 (Contact customer Service direct for parts) | 1 |
| 7 | 07-00016 | Metering Jet Screen (sold in packs of 12) | 1 |
| 8 | 14-00279 | Fitting, 45 Deg. M12 - 1.5 Male ISO 6149 x -4 ORFS Male | 1 |
| 9 | 14-00295 | Fitting, M22 - 1.5 Male ISO 6149 x -8 ORFS Male | 1 |
| 10 | 15-00247 | Kit, L-bracket with Bolts, M06 or MTS 8x12 | 1 |
| 11 | 15-00058 | Oil Supply Port Connection Kit, 1/8" Ball-Valve, 1/4" x -4 ORFS fitting | 1 |
| 12 | 15-00147-S | Serviceable Main Assembly (Includes Unit, Clamp Set, Bracket Kit, Metering Jet, Fittings); * must specify filter element type | 1 |



M06W OR MTS-12 SYSTEM

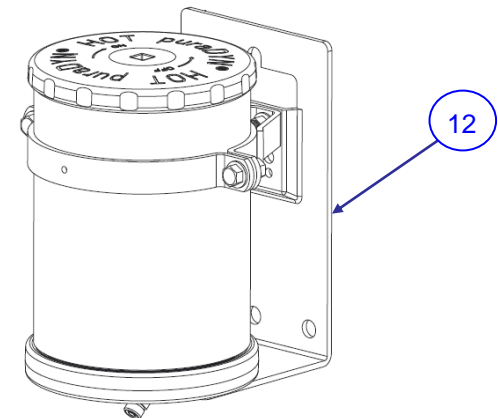
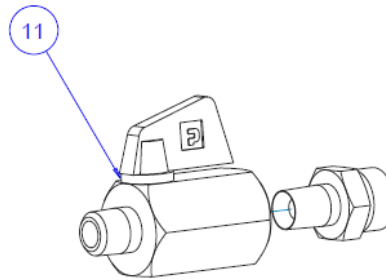
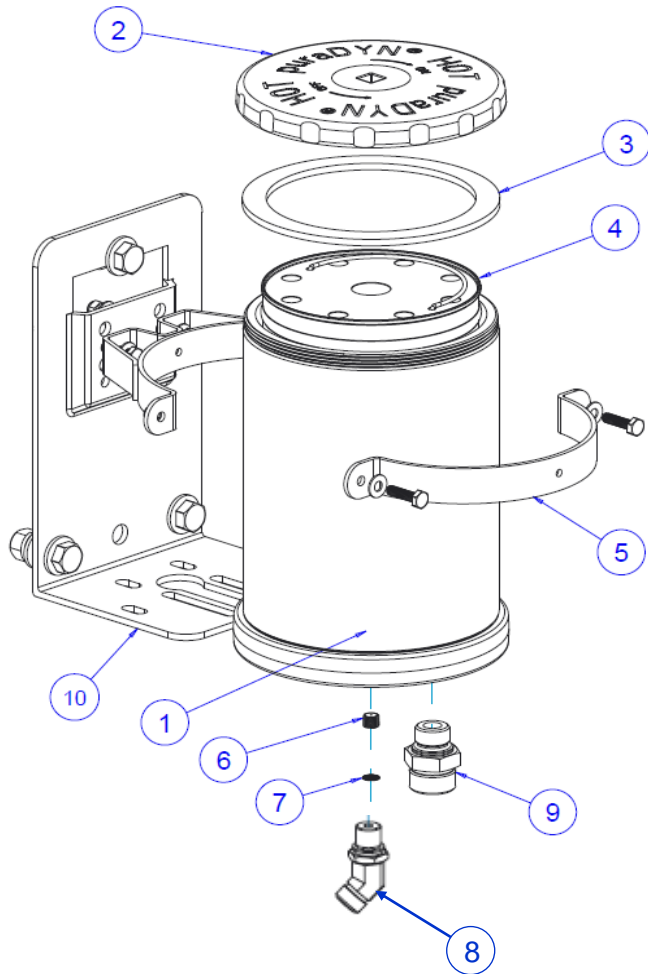


| ITEM | PART No. | SERVICEABLE PART & SUBASSEMBLY DESCRIPTION | QTY |
|------|------------|--|-----|
| 1 | 15-00188 | Kit, Main Body Assembly M06W or MTS-12 (Includes Sleeve and Head) | 1 |
| 2 | 15-00108 | Kit, Lid (Includes Lid and Rubber Lid Gasket) | 1 |
| 3 | 18-00030 | Rubber Lid Gasket (sold in packs of 4) | 1 |
| 4 | | Filter, Size M06W (sold in packs of 4) (See Filter Listing Manual 19-00201 for Available Filters) | 1 |
| 5 | 15-00167 | Kit, Clamp Set with Bolts, M06W / MTS-12 (Includes one "W" and one "C" Clamp) | 1 |
| 6 | | Fitting, Metering Jet– Must be ordered w/ pack of P/N 07-00016 (Contact customer Service direct for parts) | 1 |
| 7 | 07-00016 | Metering Jet Screen (sold in packs of 12) | 1 |
| 8 | 14-00279 | Fitting, 45 Deg. M12 - 1.5 Male ISO 6149 x -4 ORFS Male | 1 |
| 9 | 14-00295 | Fitting, M22 - 1.5 Male ISO 6149 x -8 ORFS Male | 1 |
| 10 | 15-00246 | Kit, L-bracket with Bolts, M06W | 1 |
| 11 | 15-00058 | Oil Supply Port Connection Kit, 1/8" Ball-Valve, 1/4" x -4 ORFS fitting | 1 |
| 12 | 15-00148-S | Serviceable Main Assembly (Includes Unit, Clamp Set, Bracket Kit, Metering Jet, Fittings); * must specify filter element type | 1 |



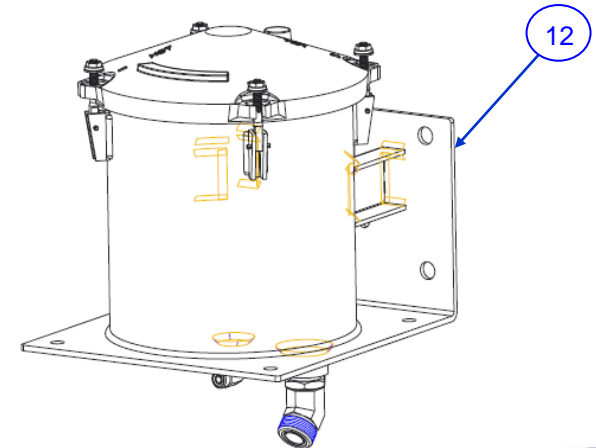
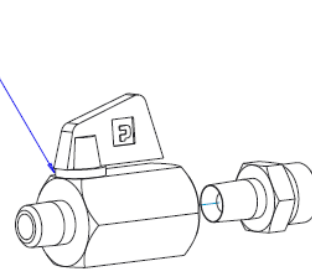
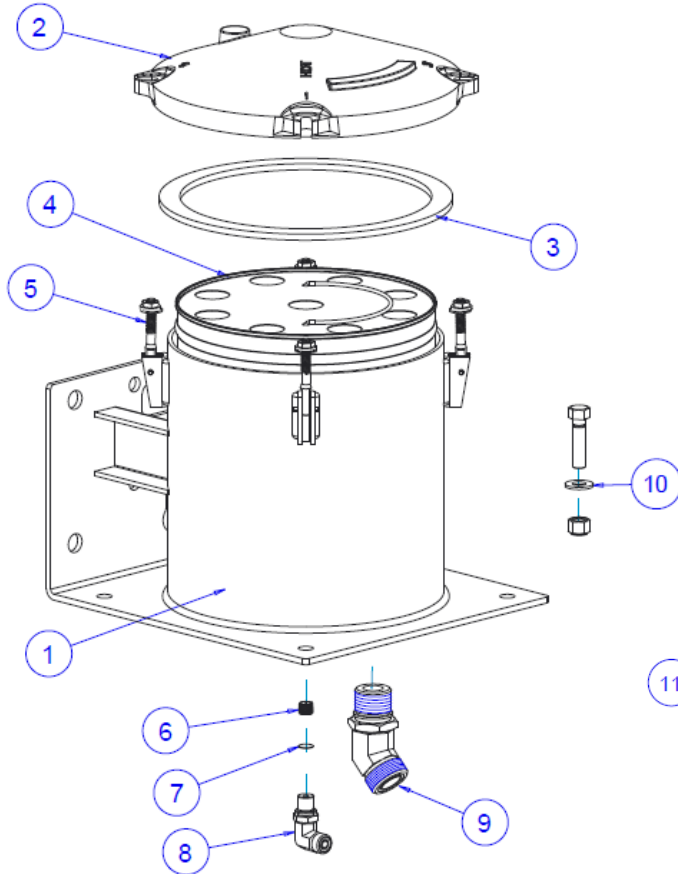
M10 OR MTS 24 SYSTEM

| ITEM | PART No. | SERVICEABLE PART & SUBASSEMBLY DESCRIPTION | QTY |
|------|------------|--|-----|
| 1 | 15-00189 | Kit, Main Body Assembly M10 or MTS24 (Includes Sleeve and Head) | 1 |
| 2 | 15-00108 | Kit, Lid (Includes Lid and Rubber Lid Gasket) | 1 |
| 3 | 18-00030 | Rubber Lid Gasket (sold in packs of 4) | 1 |
| 4 | | Filter, Size M10 or MTS-24 (sold in packs of 4) See Filter Listing Manual 19-00201 for Available Filters | 1 |
| 5 | 15-00167 | Kit, Clamp Set with Bolts, M 6W/10 or MTS 12/24 (Includes one "W" and one "C" Clamp) | 1 |
| 6 | | Fitting, Metering Jet- Must be ordered w/ pack of P/N 07-00016 (Contact customer Service direct for parts) | 1 |
| 7 | 07-00016 | Metering Jet Screen (sold in packs of 12) | 1 |
| 8 | 14-00279 | Fitting, 45 Deg. M12 - 1.5 Male ISO 6149 x -4 ORFS Male | 1 |
| 9 | 14-00295 | Fitting, M22 - 1.5 Male ISO 6149 x -8 ORFS Male | 1 |
| 10 | 15-00247 | Kit, L-bracket with Bolts, M10 or MTS-24 | 1 |
| 11 | 15-00058 | Oil Supply Port Connection Kit, 1/8" Ball-Valve, 1/4" x -4 ORFS fitting | 1 |
| 12 | 15-00149-s | Serviceable Main Assembly (Includes Unit, Clamp Set, Bracket Kit, Metering Jet, Fittings); * must specify filter element type | 1 |



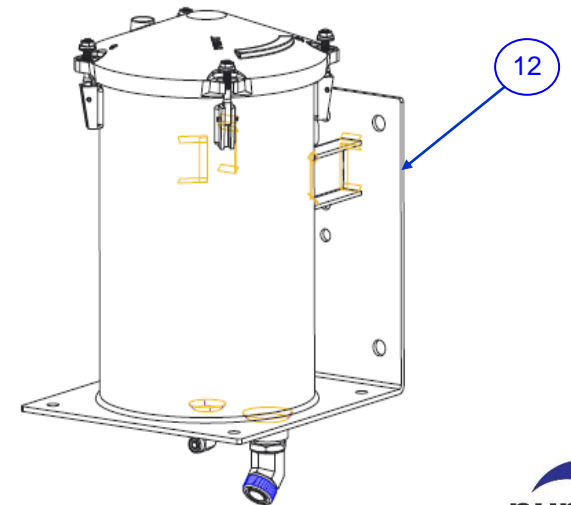
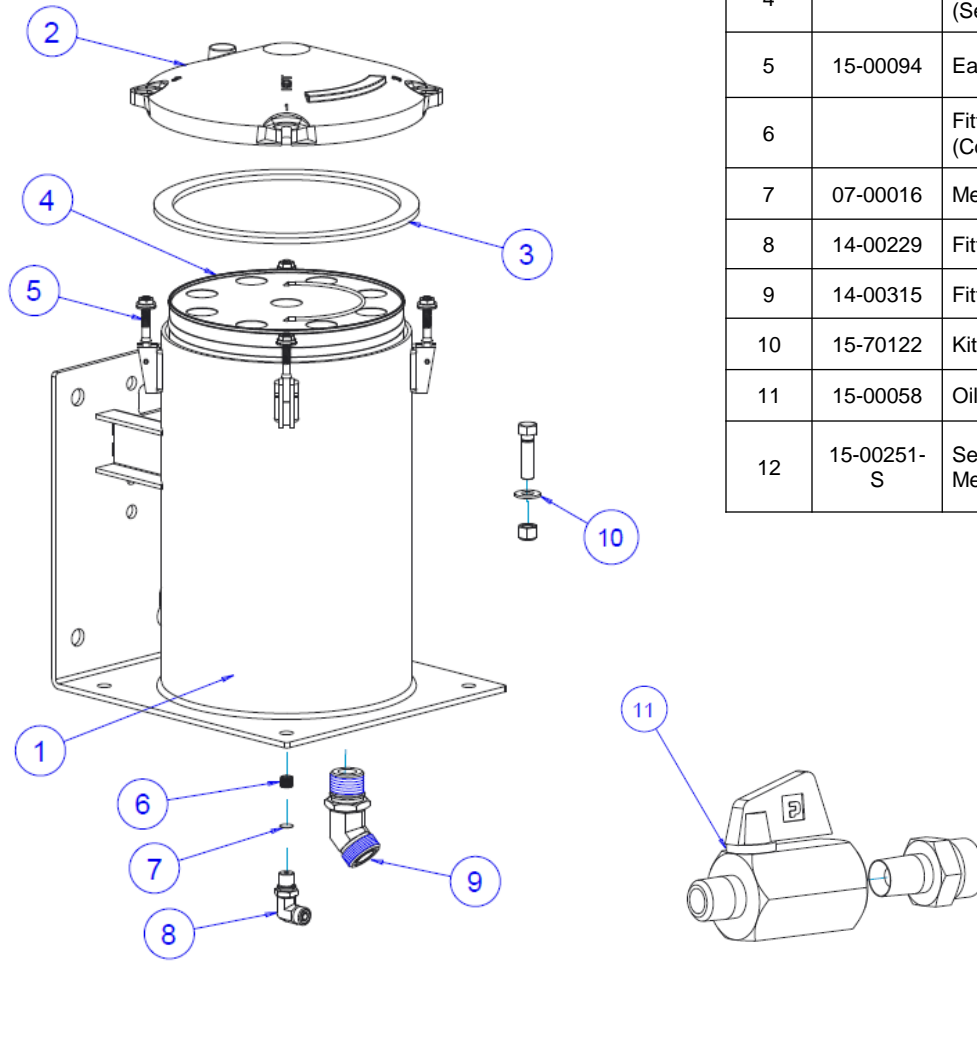
M25 OR MTS 40 SYSTEM

| ITEM | PART No. | SERVICEABLE PART & SUBASSEMBLY DESCRIPTION | QTY |
|------|------------|---|-----|
| 1 | 15-00125 | Kit, Assembly M25 or MTS40 (DL) Canister W/ Ear Stud bolt kit (P/N 15-00094) | 1 |
| 2 | 15-00220 | M25/45/85 or MTS 40/60/240 Closed System Head Casting with Flat Gasket | 1 |
| 3 | 18-00014 | Kit, Gasket for M25/45/85 or MTS 40/60/240 Lid (sold in packs of 4) | 1 |
| 4 | | Filter, Size 25 or 40 (sold in packs of 4) See Filter Listing Manual 19-00201 for Available Filters) | 1 |
| 5 | 15-00094 | Ear Stud Bolt Kit for M25/45/85 or MTS 40/60/240 (Includes four sets of parts) | 1 |
| 6 | | Fitting, Metering Jet– Must be ordered w/ pack of P/N 07-00016 (Contact customer Service direct for parts) | 1 |
| 7 | 07-00016 | Metering Jet Screen (sold in packs of 12) | 1 |
| 8 | 14-00229 | Fitting, 90 degree M12 x 1.5 ISO6149 x -4 ORFS Male | 1 |
| 9 | 14-00315 | Fitting, 45 degree M27 x 2.0 ISO6149 x -12 ORFS Male | 1 |
| 10 | 15-70122 | Kit, Bolt Bag for M 25/45/85 or MTS 40/60/240 | 1 |
| 11 | 15-00058 | Oil Supply Port Connection Kit, 1/8" Ball-Valve, 1/4" x -4 ORFS fitting | 1 |
| 12 | 15-00250-s | Serviceable Main Assembly (Includes Unit w/Integrated Mounting Bracket, Metering Jet, Fittings) ; * must specify filter element type | 1 |



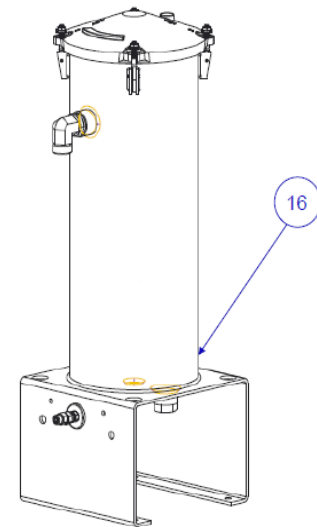
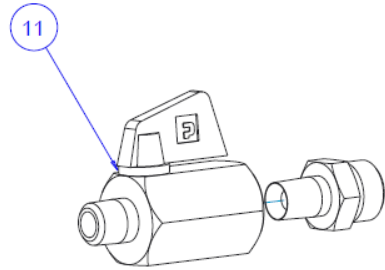
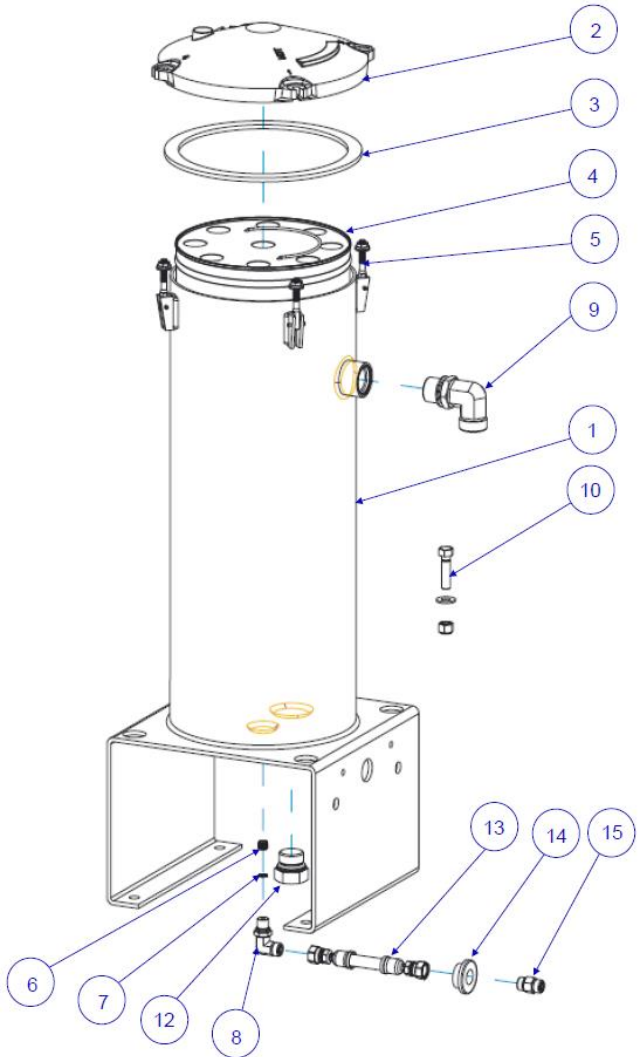
M45 OR MTS 60 SYSTEM

| ITEM | PART No. | SERVICEABLE PART & SUBASSEMBLY DESCRIPTION | QTY |
|------|------------|---|-----|
| 1 | 15-00185 | Kit, Assembly M45 or MTS60 (DL) Canister W/ Ear Stud hardware (P/N 15-00094) | 1 |
| 2 | 15-00220 | M25/45/85 or MTS 40/60/240 Closed System Head Casting with Flat Gasket | 1 |
| 3 | 18-00014 | Kit, Gasket for M25/45/85 or MTS 40/60/240 Lid (sold in packs of 4) | 1 |
| 4 | | Filter, Size 45 or 60 (sold in packs of 4) (See Filter Listing Manual 19-00201 for Available Filters) | 1 |
| 5 | 15-00094 | Ear Stud Bolt Kit for M25/45/85 or MTS 40/60/240 (Includes four sets of parts) | 1 |
| 6 | | Fitting, Metering Jet- Must be ordered w/ pack of P/N 07-00016 (Contact customer Service direct for parts) | 1 |
| 7 | 07-00016 | Metering Jet Screen (sold in packs of 12) | 1 |
| 8 | 14-00229 | Fitting, 90 degree M12 x 1.5 ISO6149 x -4 ORFS Male | 1 |
| 9 | 14-00315 | Fitting, 45 degree M27 x 2.0 ISO6149 x -12 ORFS Male | 1 |
| 10 | 15-70122 | Kit, Bolt Bag for M25/45/85 or MTS 40/60/240 | 1 |
| 11 | 15-00058 | Oil Supply Port Connection Kit, 1/8" Ball-Valve, 1/4" x -4 ORFS fitting | 1 |
| 12 | 15-00251-S | Serviceable Main Assembly (Includes Unit w/Integrated Mounting Bracket, Metering Jet, Fittings) ; * must specify filter element type | 1 |



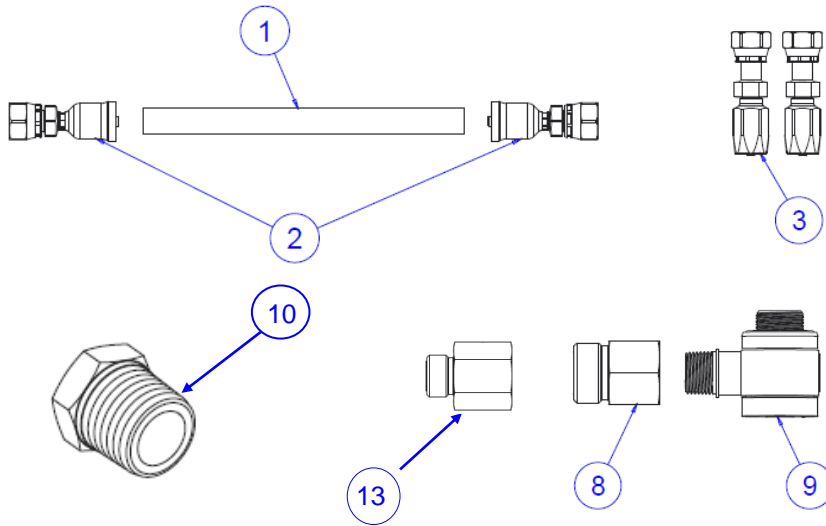
M85 OR MTS 240 SYSTEM

| ITEM | PART No. | SERVICEABLE PART & SUBASSEMBLY DESCRIPTION | QTY |
|------|------------|---|-----|
| 1 | 15-00195 | Kit, Assembly M85 or MTS240 (DL) Canister W/ Ear Stud hardware (P/N 15-00094) | 1 |
| 2 | 15-00220 | M25/45/85 or MTS 40/60/240 Closed System Head Casting with Flat Gasket | 1 |
| 3 | 18-00014 | Kit, Gasket for M25/45/85 or MTS 40/60/240 Lid (sold in packs of 4) | 1 |
| 4 | | Filter, Size 85 OR 240 (sold in packs of 4) (See Filter Listing Manual 19-00201 for Available Filters) | 1 |
| 5 | 15-00094 | Ear Stud Bolt Kit M25/45/85 or MTS 40/60/240 (Includes four sets of parts) | 1 |
| 6 | | Fitting, Metering Jet- Must be ordered w/ pack of P/N 07-00016 (Contact customer Service direct for parts) | 1 |
| 7 | 07-00016 | Metering Jet Screen (sold in packs of 12) | 1 |
| 8 | 14-00229 | Fitting, 90 degree M12 x 1.5 ISO 6149 x -4 ORFS Male | 1 |
| 9 | 14-00316 | Fitting, 45 degree M27 x 2.0 ISO 6149 x -12 ORFS Male | 1 |
| 10 | 15-70122 | Kit, Bolt Bag for M25/45/85 or MTS 40/60/240 | 1 |
| 11 | 15-00058 | Oil Supply Port Connection Kit, 1/8" Ball-Valve, 1/4" x -4 ORFS fitting | 1 |
| 12 | 14-00218 | Fitting, Plug M27 x 2.0 ISO 6149 | 1 |
| 13 | 15-70030 | Assembly, Hose 3/16" ID M85 or MTS-DL 240 Inlet Plumbing w/Crimp Fittings | 1 |
| 14 | 18-00068 | Rubber, Press Fit Grommet 1.05" | 1 |
| 15 | 14-00238 | Fittings, -4 ORFS Male x -4 ORFS Male Straight | 1 |
| 16 | 15-00252-s | Serviceable Main Assembly (Includes Unit w/Integrated Mounting Bracket, Metering Jet, Fittings) ; * must specify filter element type | 1 |



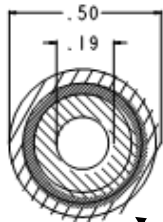
HOSES AND FITTINGS

| ITEM | PART No. | HOSE & HOSE FITTING PART DESCRIPTION | QTY |
|------|----------|--|----------|
| 1 | 08-00003 | Hose, 3/16-ID Steel Braided 3000 PSI | In / ft. |
| 2 | 14-00342 | Hose Fitting, Crimp-On -4 ORFS (FEMALE) X 3/16" ID HOSE | 2 |
| 3 | 14-00343 | Hose Fitting, Field Attachable -4 ORFS (FEMALE) X 3/16" ID HOSE | 2 |
| 4 | 08-00004 | Return Hose, 5/8-ID, Steel Braided 1500 PSI (Off-Road) | in / ft. |
| 5 | 14-00305 | Hose Fitting, Field-Attachable -12 ORFS (FEMALE) x 5/8" ID Hose | 2 |
| 6 | 14-00315 | Fitting, 45 Deg. M27 x 2.0 ISO 6149 x -12 ORFS Male | 1 |
| 7 | 14-00306 | Fitting, Adaptor 3/4" MNPT x -12 ORFS Male | 1 |
| 8 | 14-00234 | Fitting, Adaptor 1/2 FNPT X 3/4 -12 ORFS <i>(Used for OFF-ROAD Banjo Kits dated prior to 09/06/16)</i> | 1 |
| 9 | | OFF-ROAD Banjo Fitting Kits See Banjo Fitting Kits under Technical Documents. | 1 |
| 10 | 14-00152 | Fitting, 1/4" NPT Brass Plug Hex Head (Part used for MTS Conversion as per PTB112614_Rev-A) | 1 |
| 11 | 08-00024 | Hose, 13/32" ID Off-Road Return 2000 PSI | In / ft. |
| 12 | 14-00345 | Fitting, -8 ORFS Female x 13/32" ID Hose Field-Attachable Hose-Long | 2 |
| 13 | 14-00254 | Fitting, Adapter 1/2 FNPT x -8 ORFS Male | 1 |

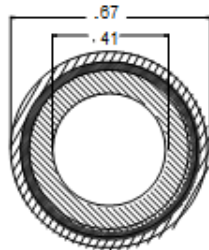


“HOSE SPECIFICATIONS”

PRESSURE HOSE
(3000 PSI)



RETURN HOSE
(M 3-10) - (2000 PSI)



Steel Braid

RETURN HOSE
(M 25-85) - (1500 PSI)

