



MTS Model Lube Oil Application Kits Serviceable Parts Manual

Updated on August 18, 2016

#19-00135 Rev -

Puradyn Filter Technologies Inc.
2017 High Ridge Road
Boynton Beach, FL 33426 USA

Customer Service/Orders/Technical Assistance

Toll Free: 1-866-PURADYN (787-2396)

Telephone: +1 561 547 9499

Fax: +1 561 547 8629

E-mail: customerservice@puradyn.com

URL: www.puradyn.com

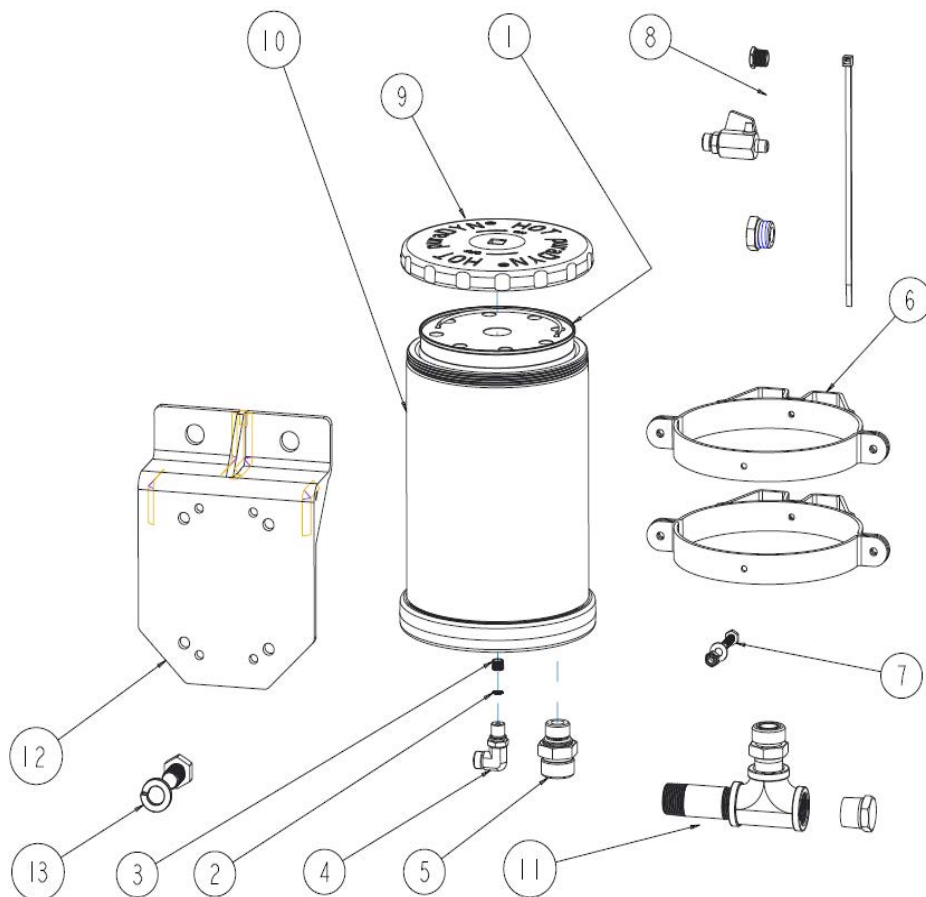
Table of Contents

MTS 24 UNIT	3
MTS 40 UNIT	4
MTS 60 UNIT	5
MTS 240 UNIT	
• 1-Unit System	6
• 2-Unit System	7
• 3-Unit system	7
HOSES & HOSE FITTINGS	8



MTS24 BYPASS OIL FILTRATION UNIT

MODEL# 01-70001MTS

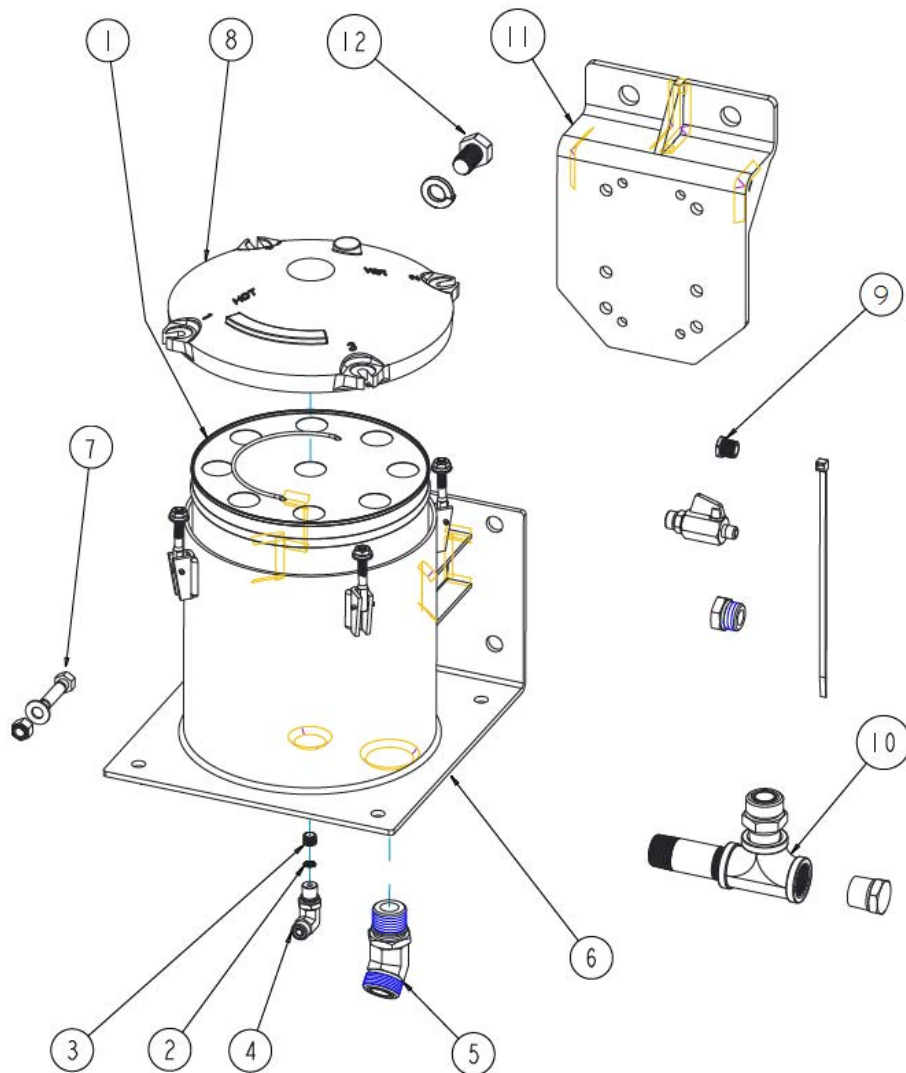


ITEM	PART No.	MTS24_01-70001MTS UNIT - SERVICEABLE PARTS DESCRIPTION	QTY
1	02-00247	Size 24 Filter, with CGP & additives XD SAP	1
2	07-00016	Metering Jet Screen 3/8" Dia. 80 Mesh per inch, .0055" wire Dia., .007 width opening – Ordered in a quantity of 12	1
3	14-00030	Metering Jet 1/32" orifice Must be ordered w/ pack of P/N 07-00016	1
4	14-00229	Fitting, 90 deg. M12-1.5 ISO 6149 Male x -4 ORFS Male W/ Adjustable Nut	1
5	14-00297	Fitting, M22-1.5 ISO 6149 Male x -12 ORFS Male Straight	1
6	15-00131	Kit, Clamp set size 12/24 Standard	1
7	15-00209_	Kit, Bolt Hardware Standard size 8-12	1
8	15-00426	Kit, Parts Bag MTS24 Cat C15 Application	1
9	15-00108	Kit, Lid (Includes Lid and Rubber Lid Gasket)	1
10	15-00188	Kit, Main Body Assembly (Includes Sleeve and Head)	1
11	15-70124	Kit, Return Fitting Assembly 3/4 NPT x -12 ORFS Cat C15 MTS Application	1
12	24-00109	Bracket, Z Mounting For CAT C15, C27 & C32	1
13	15-70119	Kit, Bolt Mounting Plate C15 Application	1



MTS40 BYPASS OIL FILTRATION UNIT

MODEL# 01-70008MTS-DL

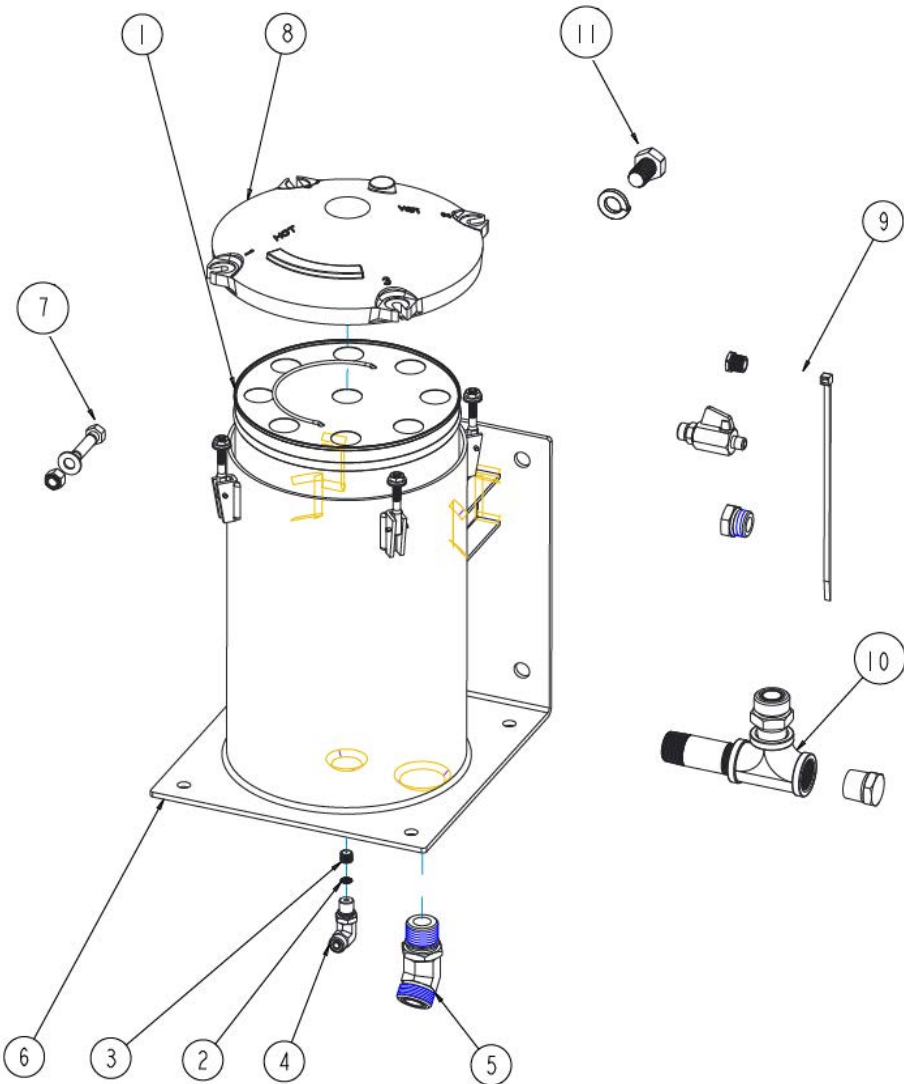


ITEM	PART No.	MTS40_01-70008MTS-DL UNIT - SERVICEABLE PARTS DESCRIPTION	QTY
1	02-00407	Filter, Size 40 with CGP & additives XD SAP	1
2	07-00016	Metering Jet Screen 3/8" Dia. 80 Mesh per inch, .0055" wire Dia., .007 width opening – Ordered in a quantity of 12	1
3	14-00030	Metering Jet 1/32" orifice Must be ordered w/ pack of P/N 07-00016	1
4	14-00229	Fitting, 90 deg. M12-1.5 ISO 6149 Male x -4 ORFS Male W/ Adj.Nut	1
5	14-00315	Fitting, 45 Deg. M27-2.0 ISO 6149 Male x -12 ORFS Male	1
6	15-00125	Kit, Assembly MTS40 (DL) Canister W/ Ear Stud hardware	1
7	15-70122	Kit, Bolt Standard - TF/MTS 240 models 1-US elevated mounting plate application	1
8	15-00220	Kit, Assembly Lid MTS 40/60/240 (Includes Rubber Lid Gasket)	1
9	15-00426	Kit, Parts Bag MTS24 Cat C15 Application	1
10	15-70124	Kit, Assembly Return fitting 3/4 NPT x -12 ORFS CAT C15 MTS Application	1
11	24-00109	Bracket, Z Mounting For CAT C15, C27 & C32	1
12	15-70119	Kit, Bolt Mounting Plate C15 application	1



MTS60 BYPASS OIL FILTRATION UNIT

MODEL# 01-70601MTS-DL



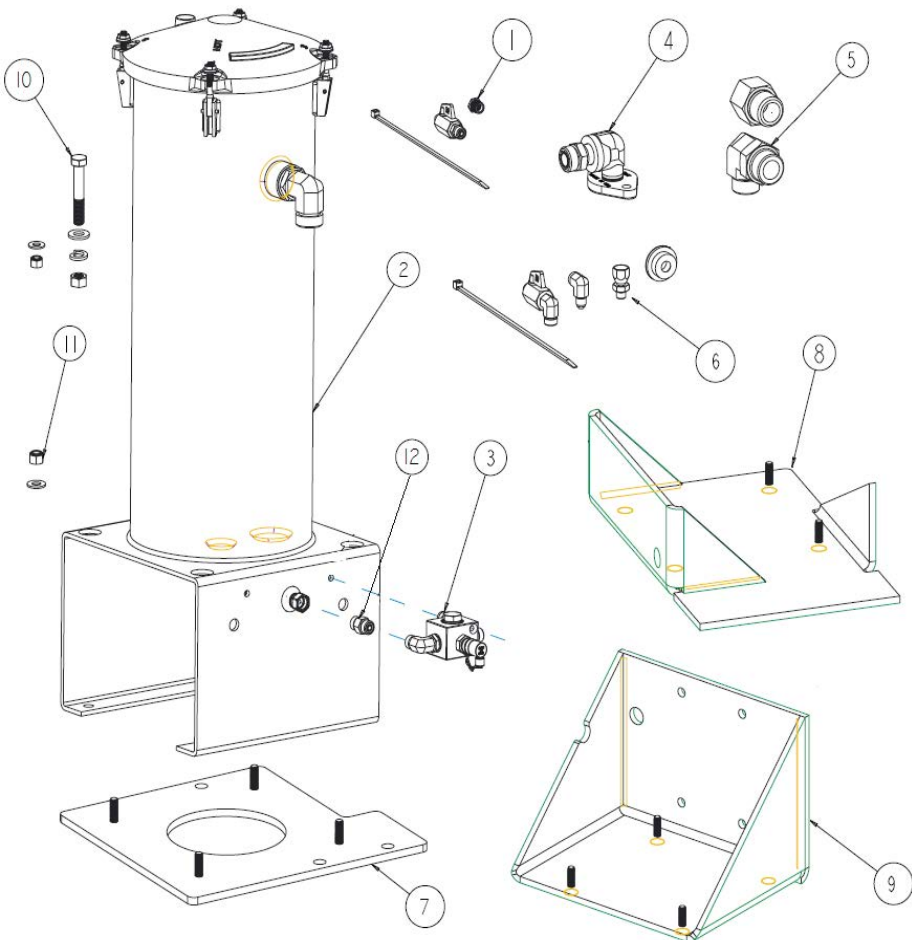
ITEM	PART No.	MTS60_01-70601MTS-DL UNIT - SERVICEABLE PARTS DESCRIPTION	QTY
1	02-00607	Filter, Element Size 60 CGP W/ SAP/ Additives XD Polydry	1
2	07-00016	Metering Jet Screen 3/8" Dia. 80 Mesh per inch, .0055" wire Dia., .007 width opening – Ordered in a quantity of 12	1
3	14-00030	Metering Jet 1/32" orifice Must be ordered w/ pack of P/N 07-00016	1
4	14-00229	Fitting, 90 deg. M12-1.5 ISO 6149 Male x -4 ORFS Male W/ Adj.Nut	1
5	14-00315	Fitting, 45 Deg. M27-2.0 ISO 6149 Male x -12 ORFS Male	1
6	15-00185	Kit, Assembly MTS60 (DL) Canister W/ Ear Stud hardware	1
7	15-70122	Kit, Bolt Standard TF/MTS 240 models 1-us elevated mounting plate applications	1
8	15-00220	Kit, Assembly Lid MTS 40/60/240	1
9	15-00426	Kit, Parts Bag MTS24 Cat C15 Application	1
10	15-70124	Kit, Assembly Return fitting 3/4 NPT x -12 ORFS CAT C15 MTS Application	1
11	15-70119	Kit, Bolt Mounting Plate C15 Application	1



MTS240 BYPASS OIL FILTRATION

1-UNIT SYSTEM

**MODEL# 01-70002MTS-(DL, DL2, DL6, DL7, DL8),
01-70002DMTS-DL, 01-71002MTS-DL6**



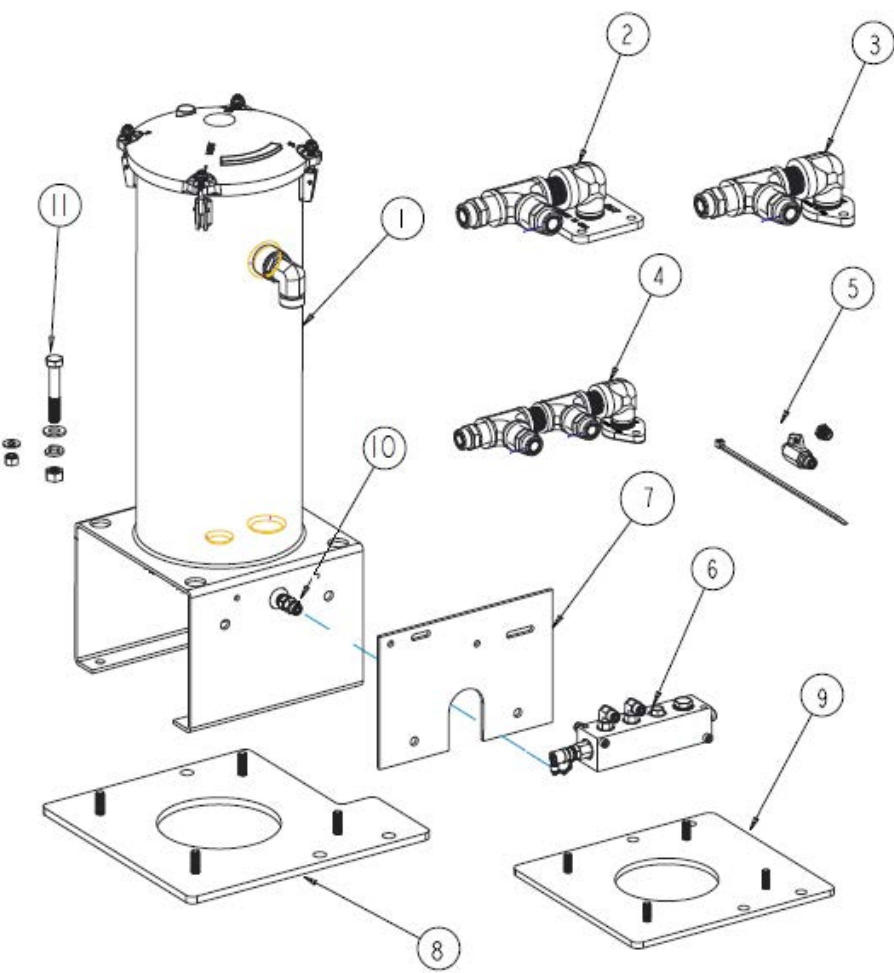
ITEM	PART No.	MTS240_1-UNIT SYSTEM - SERVICEABLE PARTS DESCRIPTION	QTY
1	15-00427	Kit, Parts Bag 1US, 2US & 3US MTS-DL 240 App Kits (Common to all the listed models)	1
2	15-70021-2	Kit, MTS-DL 240 Main Assembly Oil & Gas – Top return For P/N's (01-70002MTS-DL, DL2, DL6, DL7 & 01-70002DMTS-DL, 01-71002MTS-DL6)	1
	15-70019-2	Kit, MTS-DL 240 Main Assembly SNG Oil & Gas Top return For P/N (01-70002MTS-DL8)	
3	15-70125	Kit, Assembly FPS Manifold for single MTS-DL240 unit w/ sample valve For P/N's (01-70002MTS-DL, DL7, DL8 & 01-70002DMTS-DL)	1
	15-70125R	Kit, Assembly FPS Manifold-revised for single MTS-DL 240 w/ sample valve For P/N's (01-70002MTS-DL6 & 01-71002MTS-DL6)	
4	15-70088	Kit, Assembly Return Fitting -12 ORFS x 3/4 NPT CAT 3512 MTS-DL 240 1-US - For P/N's (01-70002MTS-DL, DL2, DL7, DL8)	1
5	15-70195	Kit, Bag Return Fitting 1" NPT X -12 ORFS MTU 4000 Frac Truck Application- For P/N (01-71002MTS-DL6)	1
	15-70196	Kit, Bag Return Fitting 1/2" NPT x -12 ORFS CAT 3512 Frac Truck Application- For P/N (01-70002MTS-DL6)	
6	15-00433	Kit, Parts Bag MTS 240 MTU Frac Truck Application For P/N (01-70002MTS-DL6)	1
7	24-00110	Mounting Plate, CAT3512 Engine For P/N's (01-70002MTS-DL,DL7,DL8 & 01-70002DMTS-DL)	1
8	24-00114	Mounting Bracket, CAT 3512 Frac Truck Application For P/N (01-71002MTS-DL6)	1
9	24-00123	Mounting Bracket, For MTU Frac Application (Optional For P/N 01-70002MTS-DL6) - w/ 4-6 weeks of MFG Lead Time	1
10	15-70120	Kit, Bolt – CAT 3512 Applications For P/N's (01-70002MTS-DL,DL7,DL8 & 01-70002DMTS-DL)	1
11	15-70123	Kit, Bolt MTS DL 240 MTU 4000 FRAC Application For P/N (01-70002MTS-DL6)	1
	15-70129	Kit, Bolt MTS DL 240 – CAT 3512 FRAC Application For P/N (01-71002MTS-DL6)	
12	14-00238	Fitting, -4 ORFS M X -4 ORFS M Straight For P/N (01-70002MTS-DL2) Non-FPS System	1
	02-02407	Filter, Element size 240 CGP/SAP w/ additives XD SAP Not shown in the image - For P/N's (01-70002MTS-DL,DL2,DL6,DL7, 01-70002DMTS-DL, 01-71002MTS-DL6)	
	02-02408	Filter, Element size 240 single CGP&SAP w/ Lubrizol-SNG Not shown in the image - For P/N (01-70002MTS-DL8)	



MTS240 BYPASS OIL FILTRATION

2-UNIT SYSTEM-MODEL # 01-70003MTS-DL, DL7, DL8), 01-70003DMTS-DL

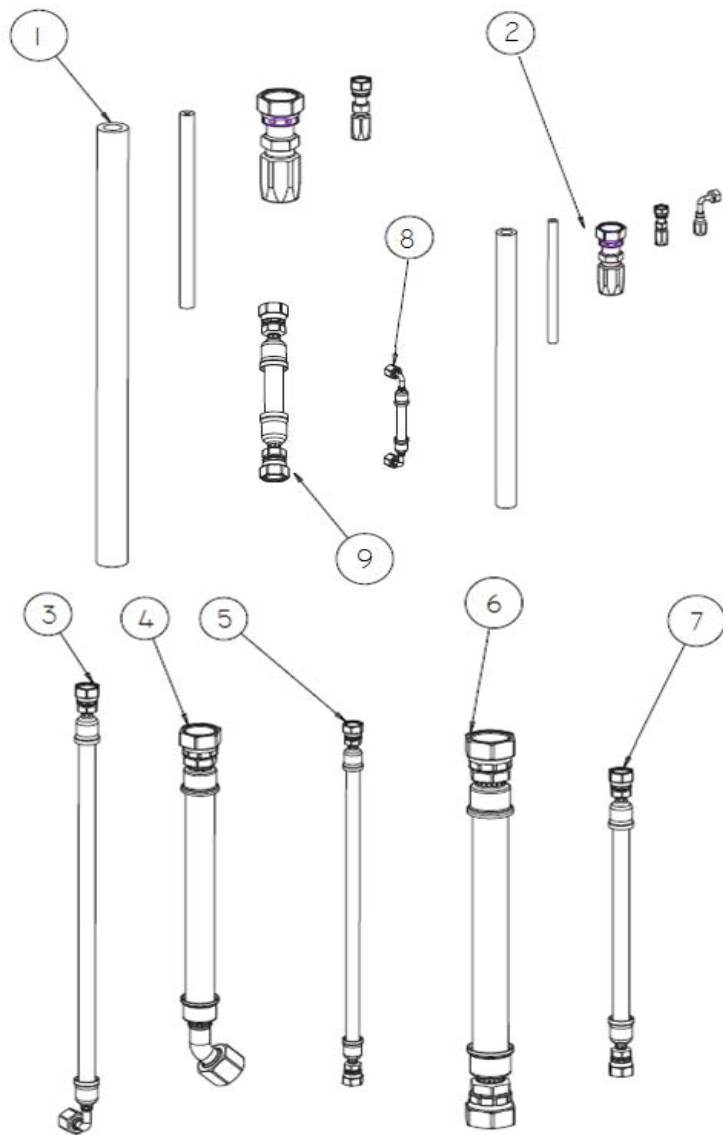
3-UNIT SYSTEM-MODEL #01-70006MTS-DL, DL7, DL8)



ITEM	PART No.	MTS240_1-UNIT SYSTEM - SERVICEABLE PARTS DESCRIPTION	QTY
1	15-70021-2	Kit, MTS-DL 240 Main Assembly high-press. O&G Top return For P/N's (01-70003MTS-DL, DL7, 01-70003DMTS-DL & 01-70006MTS-DL, DL7)	1
	15-70019-2	Kit, MTS-DL 240 Main Assembly SNG Oil & Gas Top return For P/N's (01-70003MTS-DL8 & 01-70006MTS-DL8)	
2	15-70086	Kit, Assembly Return Manifold ORFS Connections 1" NPT Fittings, 2-Port W/ CAT Square Plate For P/N (01-70003DMTS-DL)	1
3	15-70090	Kit, Assembly Return Manifold - 1" NPT fitting, 2-Port ORFS For P/N's (01-70003MTS-DL, DL7, DL8)	1
4	15-70091	Kit, Assembly Return Manifold - 1" NPT fitting, 3-Port ORFS For P/N's (01-70006MTS-DL, DL7, DL8)	1
5	15-00427	Kit, Parts Bag 1US, 2US & 3US MTS-DL 240 App Kits (Common to all the listed models)	1
6	15-00421	Kit, Assembly Pressure Reducer Manifold for 2-Unit System W/ FPS Port, ORFS Connections & Sample Valve	1
	15-00422	Kit, Assembly Pressure Reducer Manifold for 3-unit system W/ FPS Port, ORFS Connections & Sample Valve	
7	24-00116B	Mounting Plate, for TF240 Plumbing Manifold (Common to all the listed models)	1
8	24-00110	Mounting Plate, CAT 3512 Engine for 2-Unit Systems	1
9	24-00117	Mounting Plate, CAT 3516 Engine for 3-Unit Systems	1
10	14-00238	Fitting, -4 ORFS M X -4 ORFS M Straight For P/N's (01-70003MTS-DL8 & 01-70006MTS-DL8)	1
11	15-70120	Kit, Bolt CAT 3512 Applications for 2-Unit Systems	1
	15-70121	Kit, Bolt CAT 3516 Application for 3-Unit Systems	
	02-2407	Filter, Element size 240 single CGP/SAP w/ additives XD SAP Not shown in the image - For P/N's (01-70003MTS-DL, DL7, 01-70003DMTS-DL & 01-70006MTS-DL, DL7)	
	02-02408	Filter, Element size 240 single CGP&SAP w/ Lubrizol-SNG Not shown in the image - For P/N's (01-70003MTS-DL8 & 01-70006MTS-DL8)	



HOSES AND HOSE FITTINGS



ITEM	PART No.	HOSE & HOSE FITTING PART DESCRIPTION	QTY
1	15-70079M	Kit, Hose C27/ C32 Application For P/N's (01-70008MTS-DL, 01-70601MTS-DL)	1
	15-70081M	Kit, Hose MTS-DL 1-Unit System - For P/N's (01-70002MTS-DL, DL8 & 01-70002DMTS-DL)	
	15-70089M	Kit, Hose C15 MTS24 Application For P/N (01-70001MTS)	
2	15-70082M	Kit, Hose MTS-DL 2-Unit System - For P/N's (01-70003MTS-DL, DL8 & 01-70003DMTS-DL)	1
	15-70083M	Kit, Hose MTS-DL 3-Unit System For P/N's (01-70006MTS-DL, DL8)	
3	15-70047	Kit, Hose- Supply 3/16" W/ -4 ORFS crimp fittings MTU 4000 App., Frac truck For P/N (01-70002MTS-DL6)	1
4	15-70048	Kit, Hose-Return 5/8" W/ -12 ORFS crimp fittings MTU 4000 Frac Truck Application For P/N (01-70002MTS-DL6)	1
	15-70055	Kit, Hose-Return 5/8" W/ -12 ORFS crimp fittings CAT 3512 Frac Truck Application For P/N (01-71002MTS-DL6)	
5	15-70054	Kit, Hose- Supply 3/16" W/ -4 ORFS crimp fittings CAT 3512 App. Frac Truck For P/N (01-71002MTS-DL6)	1
6	15-70011M	Kit, Hose-Return 5/8" W/ crimp fittings H&P CAT3512 MTS-DL App - For (01-70002MTS-DL2)	1
7	15-80251M	Kit, Hose-Supply 3/16" w/ crimp fittings H&P CAT3512 MTS-DL App - For (01-70002MTS-DL2)	1
8	15-70031	Kit, Hose 3/16" ID MTS-DL 240 Press. Manifold to filter inlet 2 & 3-unit systems	1
9	15-70030	Kit, Hose 3/16" ID DL-MTS 240 inlet plumbing w/ crimp fittings for 1-Unit system	1

“ HOSE SPECIFICATIONS”

