



Millennium Technology Series Models Serviceable Parts Manual

Updated on August 8, 2016
#19-00133 - Revision C

Puradyn Filter Technologies Inc.
2017 High Ridge Road
Boynton Beach, FL 33426 USA

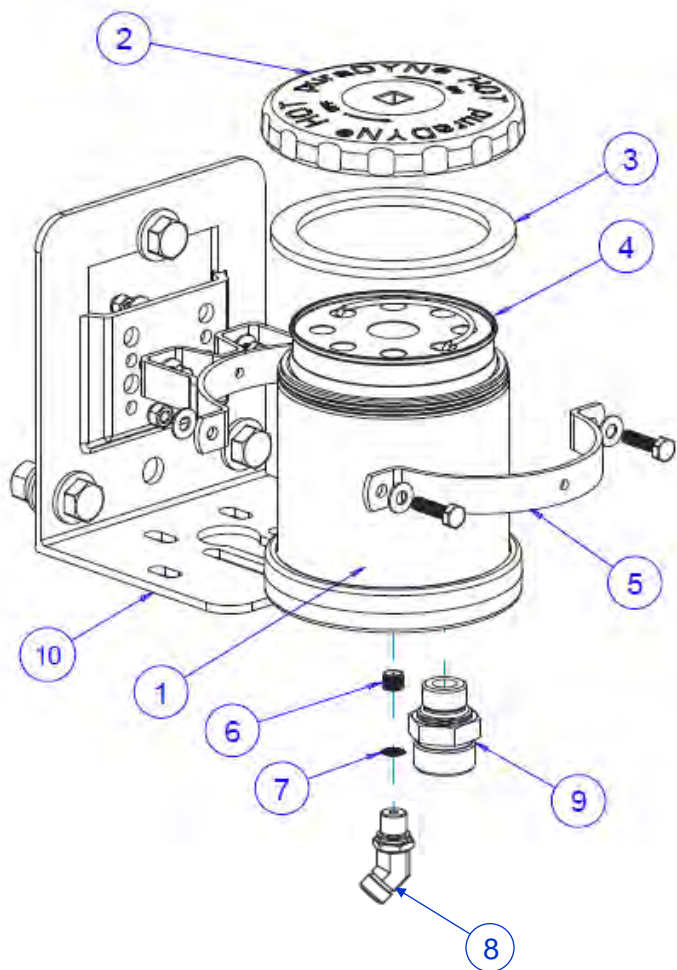
Customer Service/Orders/Technical Assistance
Toll Free: 1-866-PURADYN (787-2396)
Telephone: +1 561 547 9499
Fax: +1 561 547 8629
E-mail: customerservice@puradyn.com
URL: www.puradyn.com

Table of Contents

MTS 8 UNIT	3
MTS 12 UNIT.....	4
MTS 8X12 UNIT.....	5
MTS 24 UNIT.....	6
MTS 40 UNIT.....	7
MTS 60 UNIT.....	8
MTS 240 UNIT.....	9
HOSES & HOSE FITTINGS.....	10

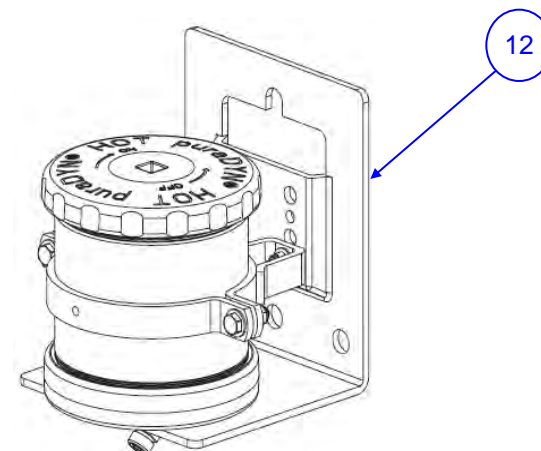
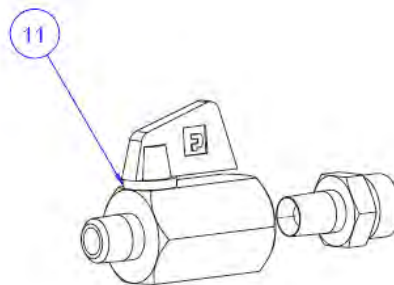


MTS8 BYPASS OIL FILTRATION UNIT



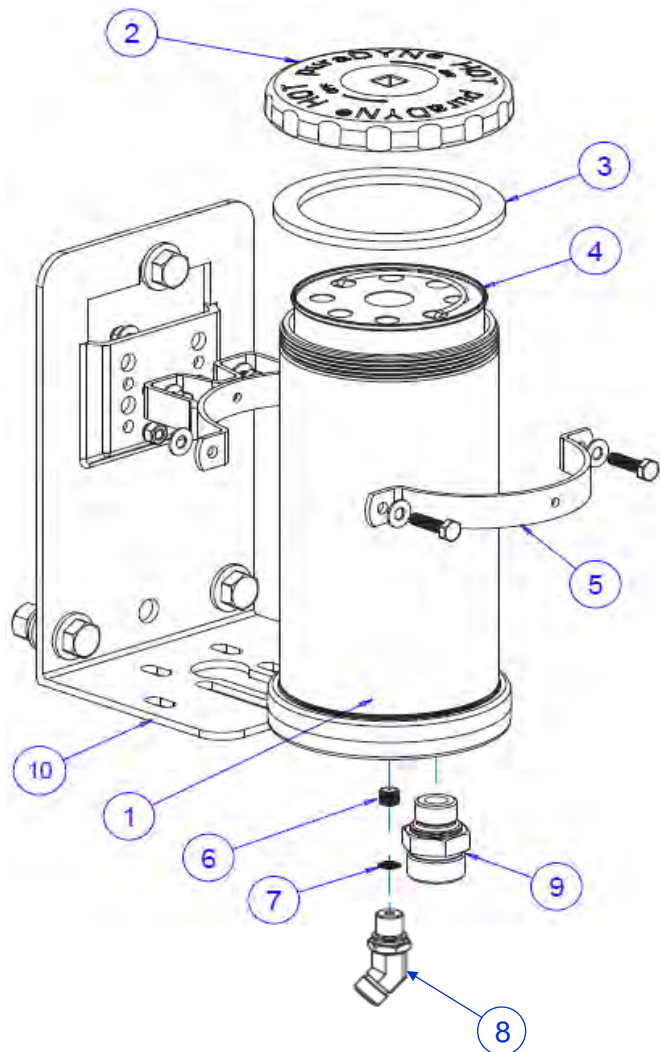
ITEM	PART No.	MTS8 UNIT - SERVICEABLE PART & SUBASSEMBLY DESCRIPTION	QTY
1	15-00186	Kit, Main Body Assembly (Includes Sleeve and Head)	1
2	15-00107	Kit, Lid (Includes Lid and Rubber Lid Gasket)	1
3	18-00013	Rubber Lid Gasket	1
4		Filter, Size 8 (See Filter Listing Manual 19-00201 for Available Filters)	1
5	15-00162	Kit, Clamp Set with Bolts, MTS8/8x12 (Includes one "W" and one "C" Clamp)	1
6		Fitting, Metering Jet – Must be ordered w/ pack of P/N 07-00016 (Contact customer Service direct for parts)	1
7	07-00016	Metering Jet Screen (sold in packs of 12)	1
8	14-00279	Fitting, 45 Deg. M12 - 1.5 Male ISO 6149 x -4 ORFS Male	1
9	14-00295	Fitting, M22 - 1.5 Male ISO 6149 x -8 ORFS Male	1
10	15-00246	Kit, L-bracket with Bolts, MTS8	1
11	15-00058	Oil Supply Port Connection Kit, 1/8" Ball-Valve, 1/4" x -4 ORFS fitting	1

ITEM	PART No.	MTS8 UNIT – SERVICEABLE MAIN ASSEMBLY DESCRIPTION	QTY
12	15-00146-S	Serviceable Main Assembly (Includes Unit, Clamp Set, Bracket Kit, Metering Jet, Fittings); * must specify filter element type	1



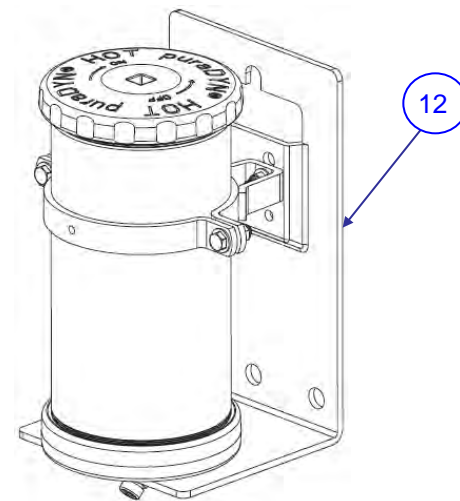
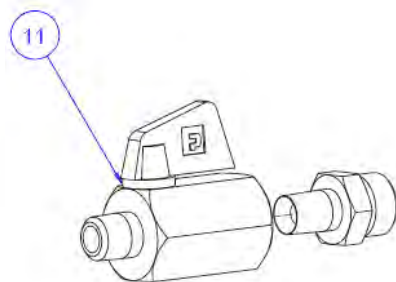


MTS8x12 BYPASS OIL FILTRATION UNIT



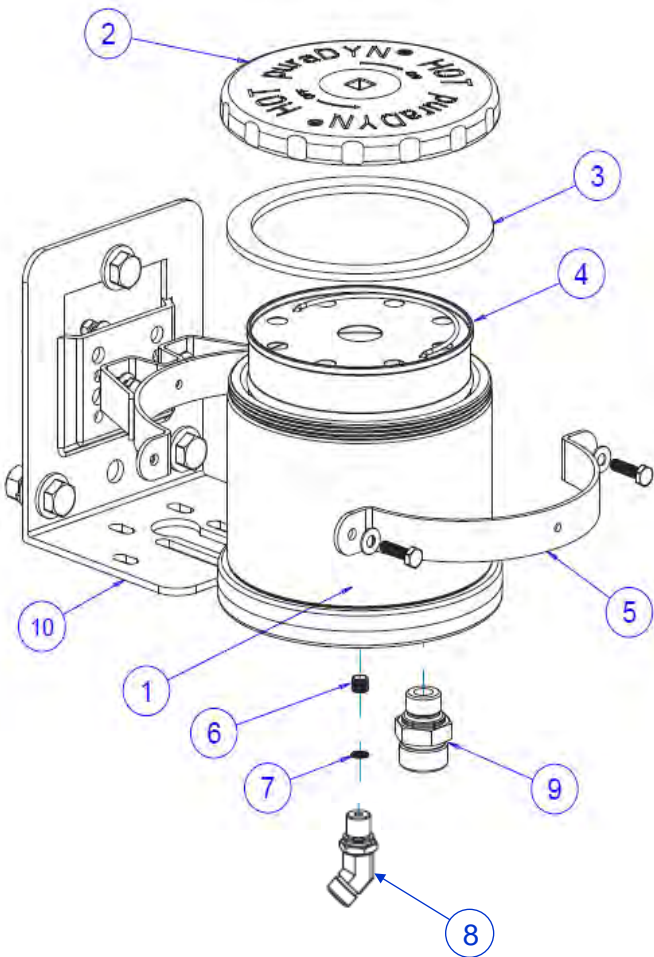
ITEM	PART No.	MTS8x12 UNIT - SERVICEABLE PART & SUBASSEMBLY DESCRIPTION	QTY
1	15-00187	Kit, Main Body Assembly (Includes Sleeve and Head)	1
2	15-00107	Kit, Lid (Includes Lid and Rubber Lid Gasket)	1
3	18-00013	Rubber Lid Gasket,	1
4		Filter, Size 8X12 (See Filter Listing Manual 19-00201 for Available Filters)	1
5	15-00162	Kit, Clamp Set with Bolts, MTS8/8x12 (Includes one "W" and one "C" Clamp)	1
6		Fitting, Metering Jet- Must be ordered w/ pack of P/N 07-00016 (Contact customer Service direct for parts)	1
7	07-00016	Metering Jet Screen (sold in packs of 12)	1
8	14-00279	Fitting, 45 Deg. M12 - 1.5 Male ISO 6149 x -4 ORFS Male	1
9	14-00295	Fitting, M22 - 1.5 Male ISO 6149 x -8 ORFS Male	1
10	15-00247	Kit, L-bracket with Bolts, MTS 8x12	1
11	15-00058	Oil Supply Port Connection Kit, 1/8" Ball-Valve, 1/4" x -4 ORFS fitting	1

ITEM	PART No.	MTS8x12 UNIT - SERVICEABLE MAIN ASSEMBLY DESCRIPTION	QTY
12	15-00147-S	Serviceable Main Assembly (Includes Unit, Clamp Set, Bracket Kit, Metering Jet, Fittings); * must specify filter element type	1



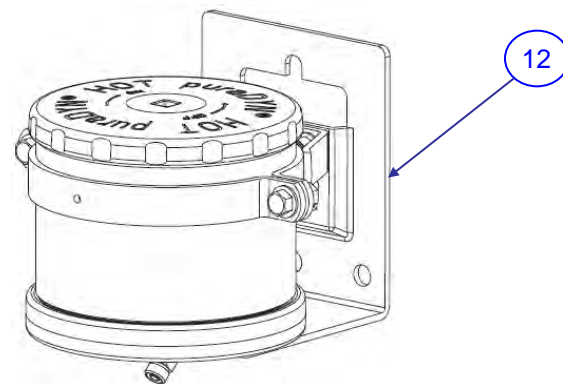
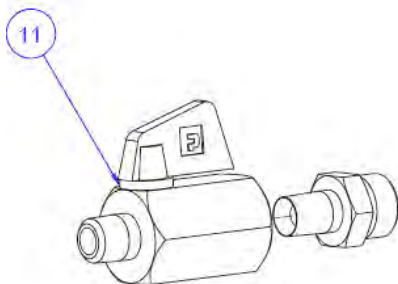


MTS12 BYPASS OIL FILTRATION UNIT



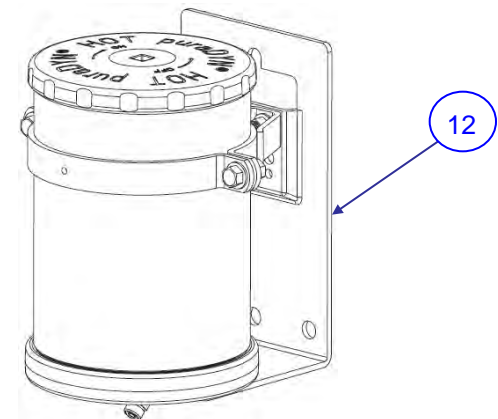
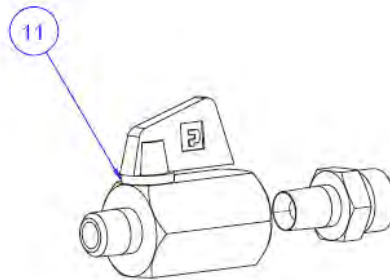
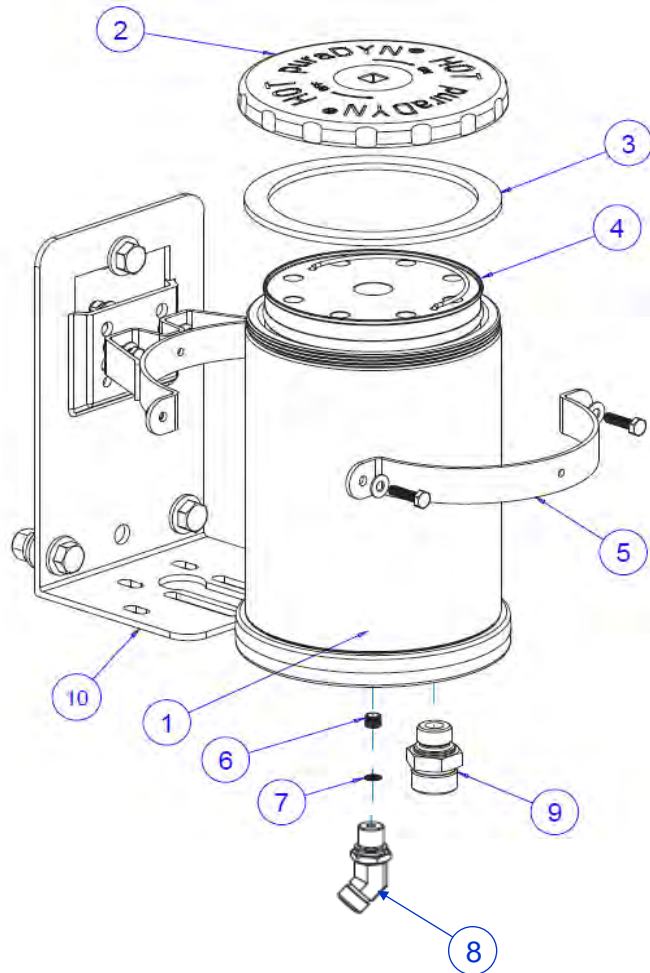
ITEM	PART No.	MTS12 UNIT - SERVICEABLE PART & SUBASSEMBLY DESCRIPTION	QTY
1	15-00188	Kit, Main Body Assembly (Includes Sleeve and Head)	1
2	15-00108	Kit, Lid (Includes Lid and Rubber Lid Gasket)	1
3	18-00030	Rubber Lid Gasket	1
4		Filter, Size 12 (See Filter Listing Manual 19-00201 for Available Filters)	1
5	15-00167	Kit, Clamp Set with Bolts, MTS12/24 (Includes one "W" and one "C" Clamp)	1
6		Fitting, Metering Jet- Must be ordered w/ pack of P/N 07-00016 (Contact customer Service direct for parts)	1
7	07-00016	Metering Jet Screen (sold in packs of 12)	1
8	14-00279	Fitting, 45 Deg. M12 - 1.5 Male ISO 6149 x -4 ORFS Male	1
9	14-00295	Fitting, M22 - 1.5 Male ISO 6149 x -8 ORFS Male	1
10	15-00246	Kit, L-bracket with Bolts, MTS8	1
11	15-00058	Oil Supply Port Connection Kit, 1/8" Ball-Valve, 1/4" x -4 ORFS fitting	1

ITEM	PART No.	MTS12 UNIT - SERVICEABLE MAIN ASSEMBLY DESCRIPTION	QTY
12	15-00148-S	Serviceable Main Assembly (Includes Unit, Clamp Set, Bracket Kit, Metering Jet, Fittings); * must specify filter element type	1





MTS24 BYPASS OIL FILTRATION UNIT

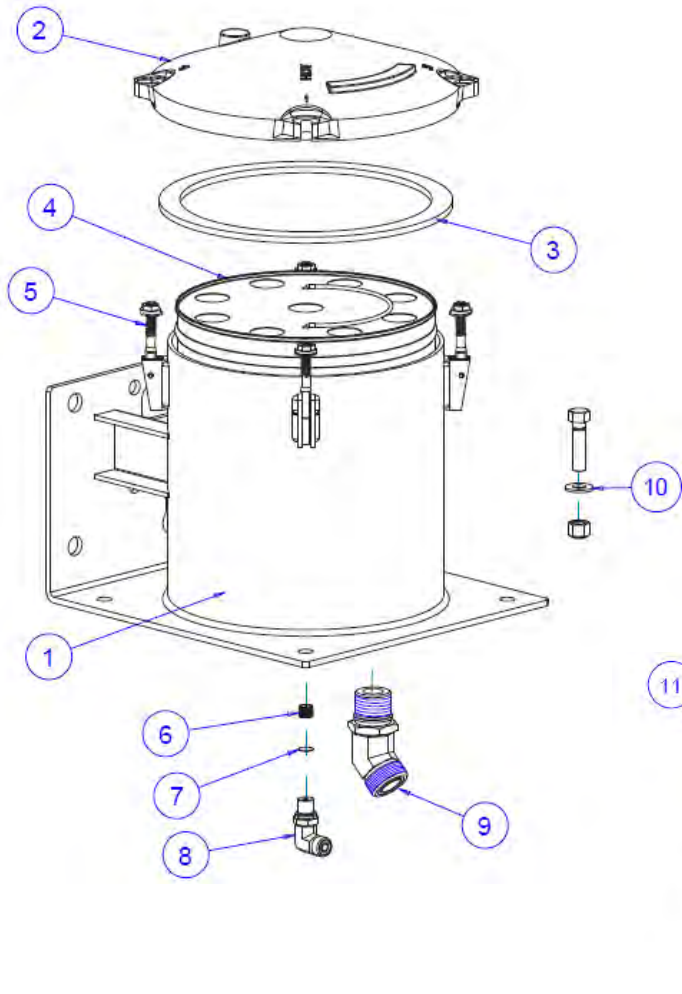


ITEM	PART No.	MTS24 UNIT - SERVICEABLE PART & SUBASSEMBLY DESCRIPTION	QTY
1	15-00189	Kit, Main Body Assembly (Includes Sleeve and Head)	1
2	15-00108	Kit, Lid (Includes Lid and Rubber Lid Gasket)	1
3	18-00030	Rubber Lid Gasket,	1
4		Filter, Size 24 (See Filter Listing Manual 19-00201 for Available Filters)	1
5	15-00167	Kit, Clamp Set with Bolts, MTS12/24 (Includes one "W" and one "C" Clamp)	1
6		Fitting, Metering Jet- Must be ordered w/ pack of P/N 07-00016 (Contact customer Service direct for parts)	1
7	07-00016	Metering Jet Screen (sold in packs of 12)	1
8	14-00279	Fitting, 45 Deg. M12 - 1.5 Male ISO 6149 x -4 ORFS Male	1
9	14-00295	Fitting, M22 - 1.5 Male ISO 6149 x -8 ORFS Male	1
10	15-00247	Kit, L-bracket with Bolts, MTS/24	1
11	15-00058	Oil Supply Port Connection Kit, 1/8" Ball-Valve, 1/4" x -4 ORFS fitting	1

ITEM	PART No.	MTS24 UNIT - SERVICEABLE MAIN ASSEMBLY DESCRIPTION	QTY
12	15-00149-S	Serviceable Main Assembly (Includes Unit, Clamp Set, Bracket Kit, Metering Jet, Fittings); * must specify filter element type	1

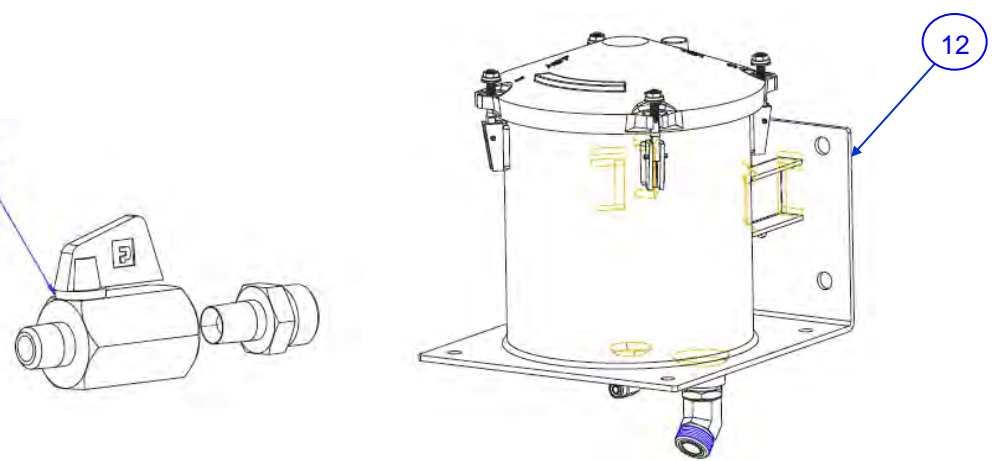


MTS40 BYPASS OIL FILTRATION UNIT



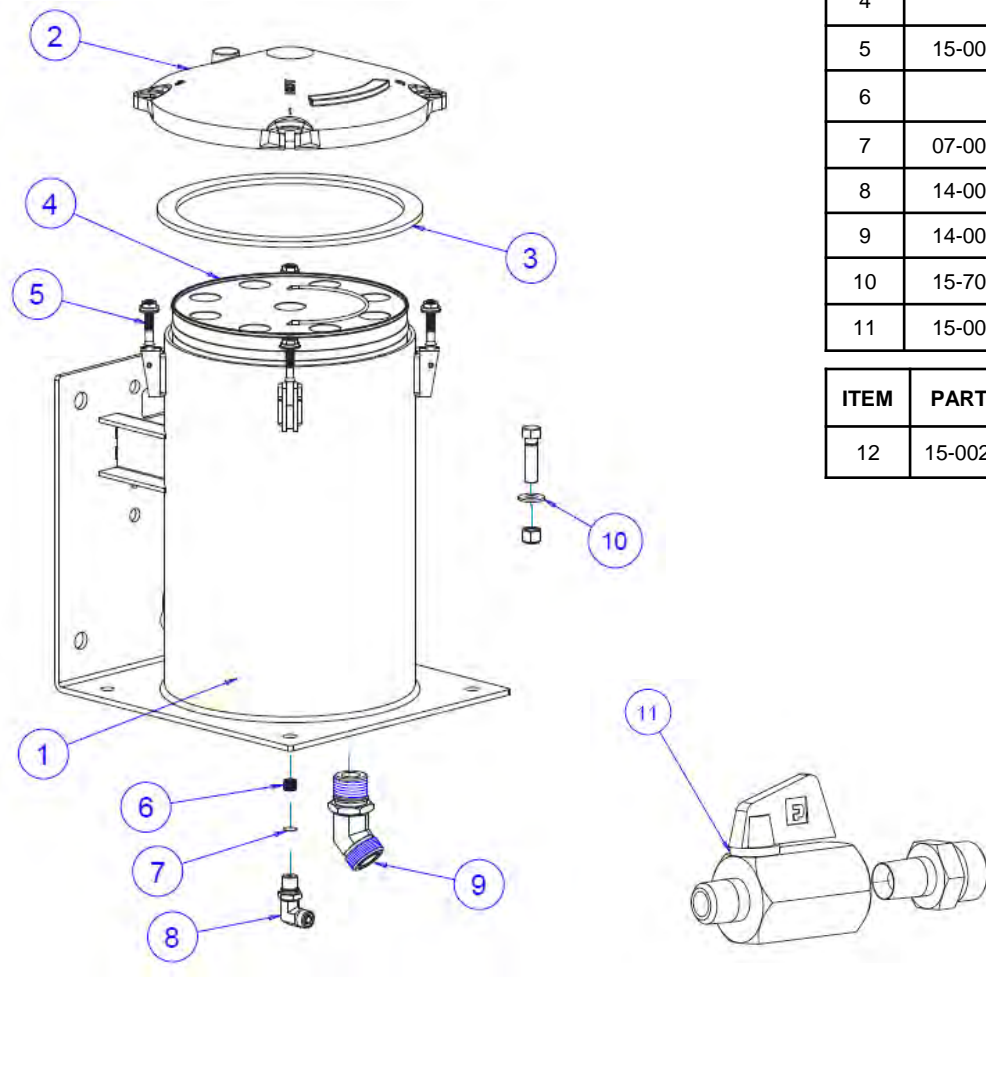
ITEM	PART No.	MTS40 UNIT - SERVICEABLE PART & SUBASSEMBLY DESCRIPTION	QTY
1	15-00125	Kit, Assembly MTS40 (DL) Canister W/ Ear Stud bolt kit (P/N 15-00094)	1
2	15-00220	MTS 40/60/240 Closed System Head Casting with Flat Gasket	1
3	18-00014	Kit, Gasket for MTS 40/60/240 Lid	1
4		Filter, Size 40 (See Filter Listing Manual 19-00201 for Available Filters)	1
5	15-00094	Ear Stud Bolt Kit for MTS 40/60/240 (Includes four sets of parts)	1
6		Fitting, Metering Jet- Must be ordered w/ pack of P/N 07-00016 (Contact customer Service direct for parts)	1
7	07-00016	Metering Jet Screen (sold in packs of 12)	1
8	14-00229	Fitting, 90 degree M12 x 1.5 ISO6149 x -4 ORFS Male	1
9	14-00315	Fitting, 45 degree M27 x 2.0 ISO6149 x -12 ORFS Male	1
10	15-70122	Kit, Bolt Bag for MTS 40/60/240	1
11	15-00058	Oil Supply Port Connection Kit, 1/8" Ball-Valve, 1/4" x -4 ORFS fitting	1

ITEM	PART No.	MTS40 UNIT - SERVICEABLE MAIN ASSEMBLY DESCRIPTION	QTY
12	15-00250-S	Serviceable Main Assembly (Includes Unit w/Integrated Mounting Bracket, Metering Jet, Fittings) ; * must specify filter element type	1



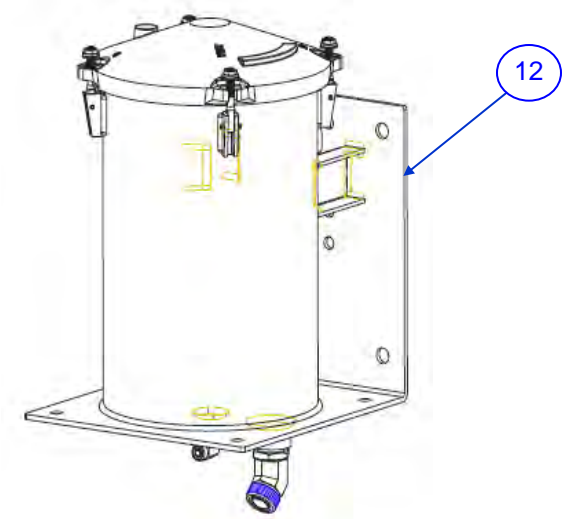


MTS60 BYPASS OIL FILTRATION UNIT



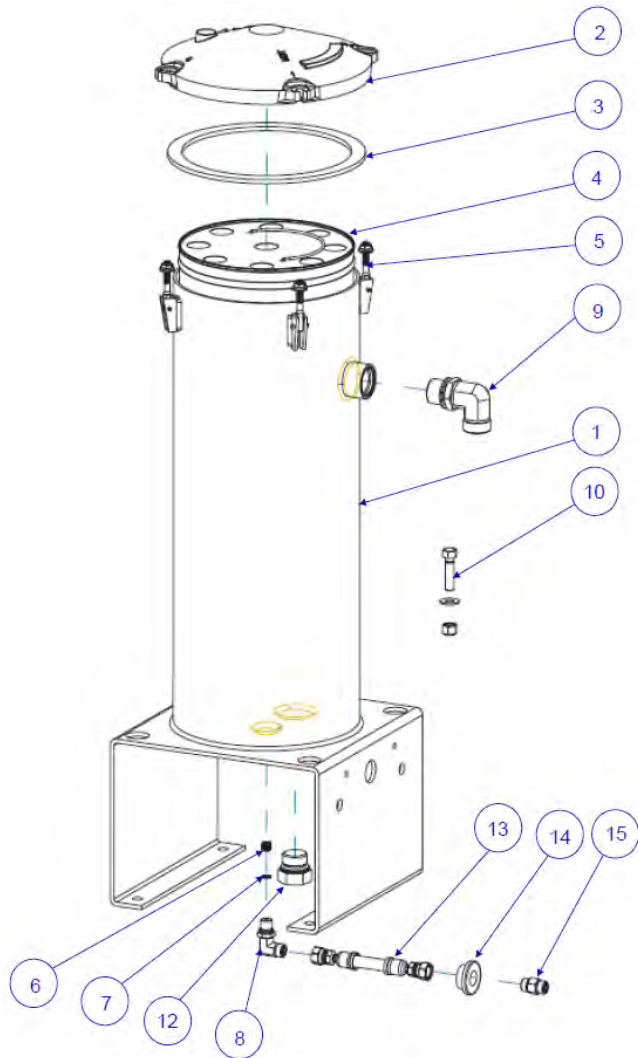
ITEM	PART No.	MTS60 UNIT – SERVICEABLE PART & SUBASSEMBLY DESCRIPTION	QTY
1	15-00185	Kit, Assembly MTS60 (DL) Canister W/ Ear Stud hardware (P/N 15-00094)	1
2	15-00220	MTS 40/60/240 Closed System Head Casting with Flat Gasket	1
3	18-00014	Kit, Gasket for MTS 40/60/240 Lid	1
4		Filter, Size 60 (See Filter Listing Manual 19-00201 for Available Filters)	1
5	15-00094	Ear Stud Bolt Kit for MTS 40/60/240 (Includes four sets of parts)	1
6		Fitting, Metering Jet– Must be ordered w/ pack of P/N 07-00016 (Contact customer Service direct for parts)	1
7	07-00016	Metering Jet Screen (sold in packs of 12)	1
8	14-00229	Fitting, 90 degree M12 x 1.5 ISO6149 x -4 ORFS Male	1
9	14-00315	Fitting, 45 degree M27 x 2.0 ISO6149 x -12 ORFS Male	1
10	15-70122	Kit, Bolt Bag for MTS 40/60/240	1
11	15-00058	Oil Supply Port Connection Kit, 1/8" Ball-Valve, 1/4" x -4 ORFS fitting	1

ITEM	PART No.	MTS60 UNIT – SERVICEABLE MAIN ASSEMBLY DESCRIPTION	QTY
12	15-00251-S	Serviceable Main Assembly (Includes Unit w/Integrated Mounting Bracket, Metering Jet, Fittings) ; * must specify filter element type	1



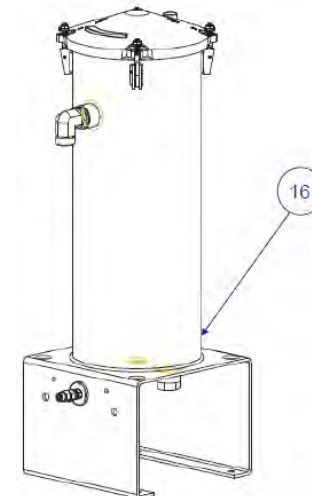
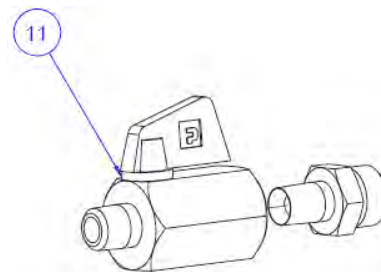


MTS240 BYPASS OIL FILTRATION UNIT



ITEM	PART No.	MTS240 UNIT - SERVICEABLE PART & SUBASSEMBLY DESCRIPTION	QTY
1	15-00195	Kit, Assembly MTS240 (DL) Canister W/ Ear Stud hardware (P/N 15-00094)	1
2	15-00220	MTS 40/60/240 Closed System Head Casting with Flat Gasket	1
3	18-00014	Kit, Gasket for MTS 40/60/240 Lid	1
4		Filter, Size 240 (See Filter Listing Manual 19-00201 for Available Filters)	1
5	15-00094	Ear Stud Bolt Kit for MTS 40/60/240 (Includes four sets of parts)	1
6		Fitting, Metering Jet- Must be ordered w/ pack of P/N 07-00016 (Contact customer Service direct for parts)	1
7	07-00016	Metering Jet Screen (sold in packs of 12)	1
8	14-00229	Fitting, 90 degree M12 x 1.5 ISO 6149 x -4 ORFS Male	1
9	14-00316	Fitting, 45 degree M27 x 2.0 ISO 6149 x -12 ORFS Male	1
10	15-70122	Kit, Bolt Bag for MTS 40/60/240	1
11	15-00058	Oil Supply Port Connection Kit, 1/8" Ball-Valve, 1/4" x -4 ORFS fitting	1
12	14-00218	Fitting, Plug M27 x 2.0 ISO 6149	1
13	15-70030	Assembly, Hose 3/16" ID MTS-DL 240 Inlet Plumbing w/Crimp Fittings	1
14	18-00068	Rubber, Press Fit Grommet 1.05"	1
15	14-00238	Fittings, -4 ORFS Male x -4 ORFS Male Straight	1

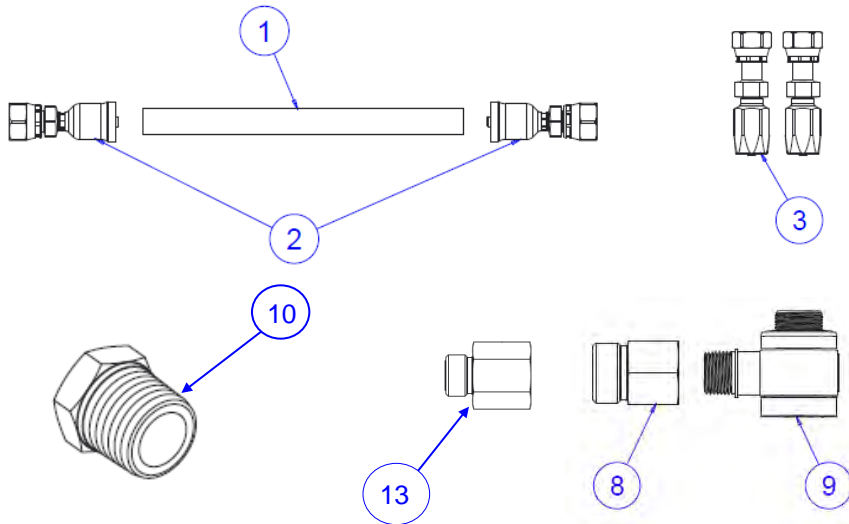
ITEM	PART No.	MTS240 UNIT - SERVICEABLE MAIN ASSEMBLY DESCRIPTION	QTY
16	15-00252-S	Serviceable Main Assembly (Includes Unit w/Integrated Mounting Bracket, Metering Jet, Fittings) ; * must specify filter element type	1





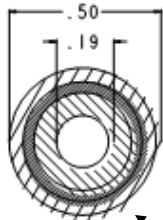
HOSES AND HOSE FITTINGS

ITEM	PART No.	HOSE & HOSE FITTING PART DESCRIPTION	QTY
1	08-00003	Hose, 3/16-ID Steel Braided 3000 PSI	In / ft.
2	14-00342	Hose Fitting, Crimp-On -4 ORFS (FEMALE) X 3/16" ID HOSE	2
3	14-00343	Hose Fitting, Field Attachable -4 ORFS (FEMALE) X 3/16" ID HOSE	2
4	08-00004	Return Hose, 5/8-ID, Steel Braided 1500 PSI (Off-Road)	in / ft.
5	14-00305	Hose Fitting, Field-Attachable -12 ORFS (FEMALE) x 5/8" ID Hose	2
6	14-00315	Fitting, 45 Deg. M27 x 2.0 ISO 6149 x -12 ORFS Male	1
7	14-00306	Fitting, Adaptor 3/4" MNPT x -12 ORFS Male	1
8	14-00234	Fitting, Adaptor 1/2 FNPT X 3/4 -12 ORFS <i>(Used for OFF-ROAD Banjo Kits dated prior to 09/06/16)</i>	1
9		OFF-ROAD Banjo Fitting Kits See Banjo Fitting Kits under Technical Documents.	1
10	14-00152	Fitting, 1/4" NPT Brass Plug Hex Head (Part used for MTS Conversion as per PTB112614_Rev-A)	1
11	08-00024	Hose, 13/32" ID Off-Road Return 2000 PSI	In / ft.
12	14-00345	Fitting, -8 ORFS Female x 13/32" ID Hose Field-Attachable Hose-Long	2
13	14-00254	Fitting, Adapter 1/2 FNPT x -8 ORFS Male	1

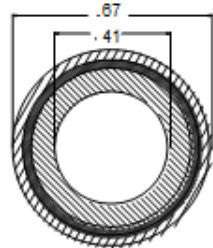


“HOSE SPECIFICATIONS”

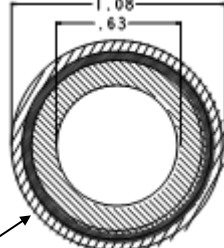
PRESSURE HOSE
(3000 PSI)



RETURN HOSE
(MTS 8-24) - (2000 PSI)



RETURN HOSE
(MTS 40-240) - (1500 PSI)



Steel Braid

