

# Millennium Technology Series **STANDARD INSTALLATION MANUAL**



## **Bypass Oil Filtration Systems**



## **MTS MODELS 40, 60, & 240**

# Table of Contents

Overview.....	3
SEQUENCE ( I ) - Installation Steps Overview.....	4
System Mounting Requirements .....	5
Mounting Instructions.....	6
SEQUENCE ( II ) - Install Oil Supply (Pressure) Line.....	7
Install Fittings to Pressure Hose.....	8
Routing and Connecting Pressure Hose .....	9
SEQUENCE ( III ) - Install Oil Return (Gravity assisted) Line .....	10
Unit Return Fitting, Determine Oil Return Location & Hose Routing.....	11
SEQUENCE ( IV ) - puraDYN <sup>®</sup> System Start-Up .....	12
Sampling Oil Procedures .....	13
Oil Analysis Data Interpretation .....	14
Oil Analysis and Service Schedules.....	15
Troubleshooting .....	16
Questions & Answers .....	17
Maintenance .....	19
Filter Element Service Requirements .....	20
Required Tools and Items for puraDYN <sup>®</sup> System Installation .....	21
PRODUCT LIMITED WARRANTY .....	22
PRODUCT LIMITED LIABILITY GUARANTEE .....	23
OIL ANALYSIS AND SERVICE SCHEDULE RECORDING TEMPLATE.....	24
REGISTER YOUR PRODUCT FOR WARRANTY COVERAGE.....	25

## Overview

Welcome to Puradyn Filter Technologies Incorporated. This installation manual is designed to assist you in the installation of your new **puraDYN**<sup>®</sup> Bypass Oil Filtration System.

This manual will go over all aspects of installing the **puraDYN**<sup>®</sup> System on any oil lubricated equipment. The information in this manual will also assist you in custom installation of the new **puraDYN**<sup>®</sup> System on genset, marine, heavy construction and other applications. At any time during the installation, if you have questions, our technical support team is only a phone call away.

### How the **puraDYN**<sup>®</sup> Millennium Technology Series (MTS) System Works

The **puraDYN**<sup>®</sup> Bypass Oil Filtration MTS System has no moving parts and is designed for years of trouble-free operation. Engine oil enters the **puraDYN**<sup>®</sup> bypass filter through a metering jet or metering jet assembly located on the bottom of the MTS unit. The metering jet reduces the flow of oil going through the **puraDYN**<sup>®</sup> System to approximately 6 gallons per hour. This slow flow rate allows the System to trap particles down to below one micron in size. As the oil travels through the filter element, it passes through a time-released additive package designed to replenish depleted base additives, thereby maintaining the oil's chemical balance and viscosity. The **puraDYN**<sup>®</sup> filter element works in conjunction with the OEM full flow filter to remove wear particles. An oil analysis will determine a safe extension of oil changes.

A new patented polymer-based technology is being incorporated into the MTS family of filtration systems enhancing the system's ability to remove liquid contaminant from lube oil. Our Polydry filter is able to absorb harmful water contaminant that builds up in the engines or equipment's lube oil. Oil continues to flow through our **puraDYN**<sup>®</sup> bypass filter element to remove other solid contaminants. The clean oil then exits the bypass filtration unit through a return line back to the oil pan. This cycle continues as long as the engine is operating.

The results are continuously cleaned oil to improve engine performance with reduced component wear.

It is common that the **puraDYN**<sup>®</sup> bypass filter element is changed at the time you would have normally changed the oil.

**Note: Use of anything other than a genuine **puraDYN**<sup>®</sup> Filter Element voids the **puraDYN**<sup>®</sup> Product Warranty.**

## **SEQUENCE ( I ) - Installation Steps Overview**

1. Check parts list against parts received.
2. Call Puradyn toll-free 1-866-787-2396 if any parts are missing or damaged.
3. Read this installation manual to get familiar with the installation process.
4. Prepare to survey equipment or vehicle at the suggested mounting location.
5. Verify adequate physical Unit clearance, accessibility of oil sample valve & room for oil sample bottle, also enough clearance to change filter element.
6. Inspect the new pre-assembled Unit, identify each Parts Bag (provided), Bolt Bag, and return fittings.
7. Prepare to mount pre-assembled Unit onto the designed location.
8. Prepare to drain old oil completely from equipment.
9. Prepare to install new OEM full flow filter per OEM instructions. **Note:** Use of a heavy-duty synthetic media full-flow filter is recommended, so that the full-flow filter element remains intact through an extended oil service interval.
10. Prepare to take an oil sample from the drained oil to use as a reference of the current engine and oil condition.
11. Prepare to install **puraDYN**<sup>®</sup> System oil supply (pressure) line.
12. Prepare to install **puraDYN**<sup>®</sup> System oil return (**gravity assisted**) line.
13. After system installation completed, please go to System Start-Up section of this manual for step by step procedures.

### **Important Continuous Maintenance Reminders**

- Please review maintenance schedule for recommended filter change intervals –if you need help generating your oil service interval schedule with **puraDYN**<sup>®</sup> System, please call Puradyn's technical support staff.
- Use Oil Analysis to confirm oil is good for continued use.
- Maintain a good preventive maintenance program on engine and equipment.
- Routinely check oil level using engine dipstick.
- Change bypass filter cartridge according to oil analysis recommendation.
- Please reference to System Startup page for adding required quantity of (charging) oil and the added oil must be compatible with oil already in the system. Example. API-CJ-4 (API category and brand may have differences in the additive package).

## ***System Mounting Requirements***

In order to change the filter after installation, the following minimum height requirements (clearance dimension) **above** each unit must be maintained:

### **Vertical Clearance Dimension**

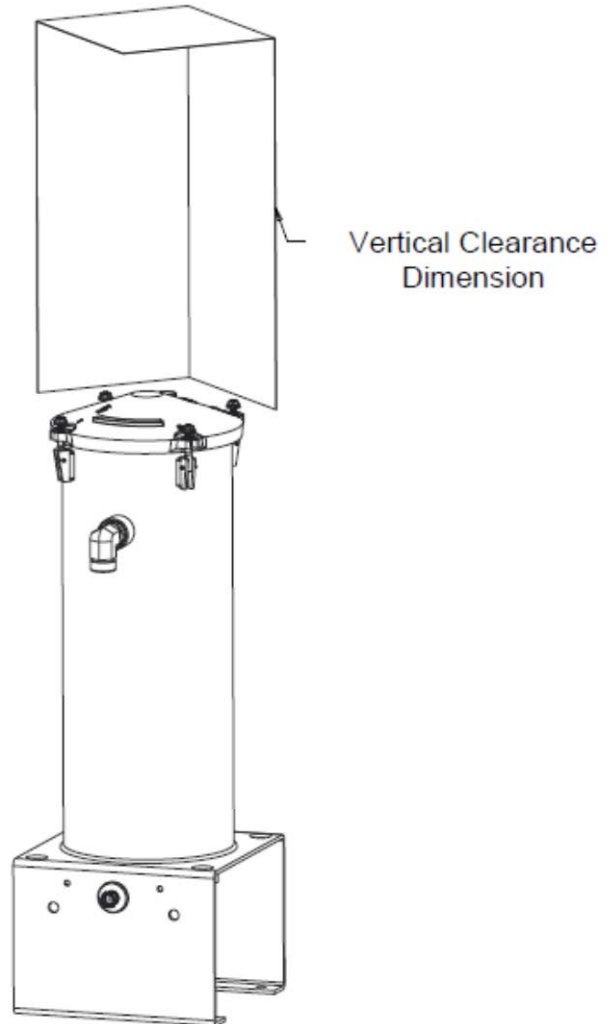
MTS 40: **8 inches (21.0cm)**

MTS 60: **12 inches (31.0cm)**

MTS 240: **20 inches (51.0cm)**

**Location:** Choose a secure mounting location on the engine railing, deck platform, or other secure structure that meets these requirements.

- Install system near oil return port (sump) and keep the return hose as short as possible. Do not mount directly onto the engine. **(Note:** Clean oil returns assisted by gravity; return hose must maintain a continuous downward-slope)
- Maintain enough space both horizontal and vertical so the unit (including mounting hardware) will not interfere with engine parts, suspension components, steering linkage, brake lines, electrical system or engine control hardware. Check for moving component clearance: i.e. tire clearance, right full turn, left full turn while suspension is unloaded and fully loaded.
- Recommend to maintain a position high enough so the outlet for the oil returns line is at least twelve (12) inches above the dipstick oil level on short return lines and as high as possible for longer return lines.
- Select thick gage mounting frame location, so the weight of the Unit doesn't cause metal fatigue or damage.
- Keep a safe distance from hot exhaust system components.

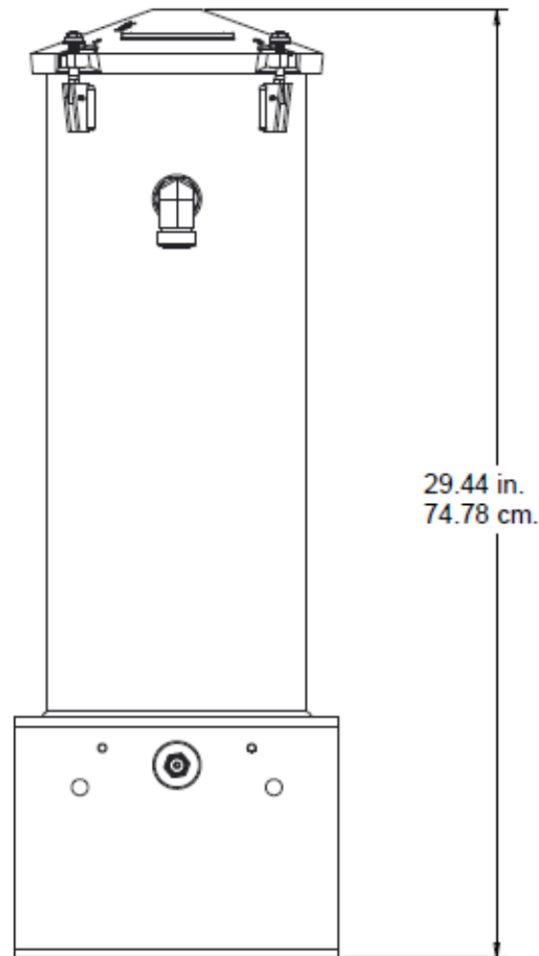


***CAUTION! Avoid high-vibration mounting locations, which can cause the bolts to loosen during operation.***

## **Mounting Instructions**

Mount the **puradYN**<sup>®</sup> unit vertically and level on top.

**Note:** Puradyn Filter Technologies Incorporated stocks various sized pre-drilled mounting plates for installation. If you would like installation technical assistance, please call Technical Support Toll-free at 1-866-PURADYN (866-787-2396).



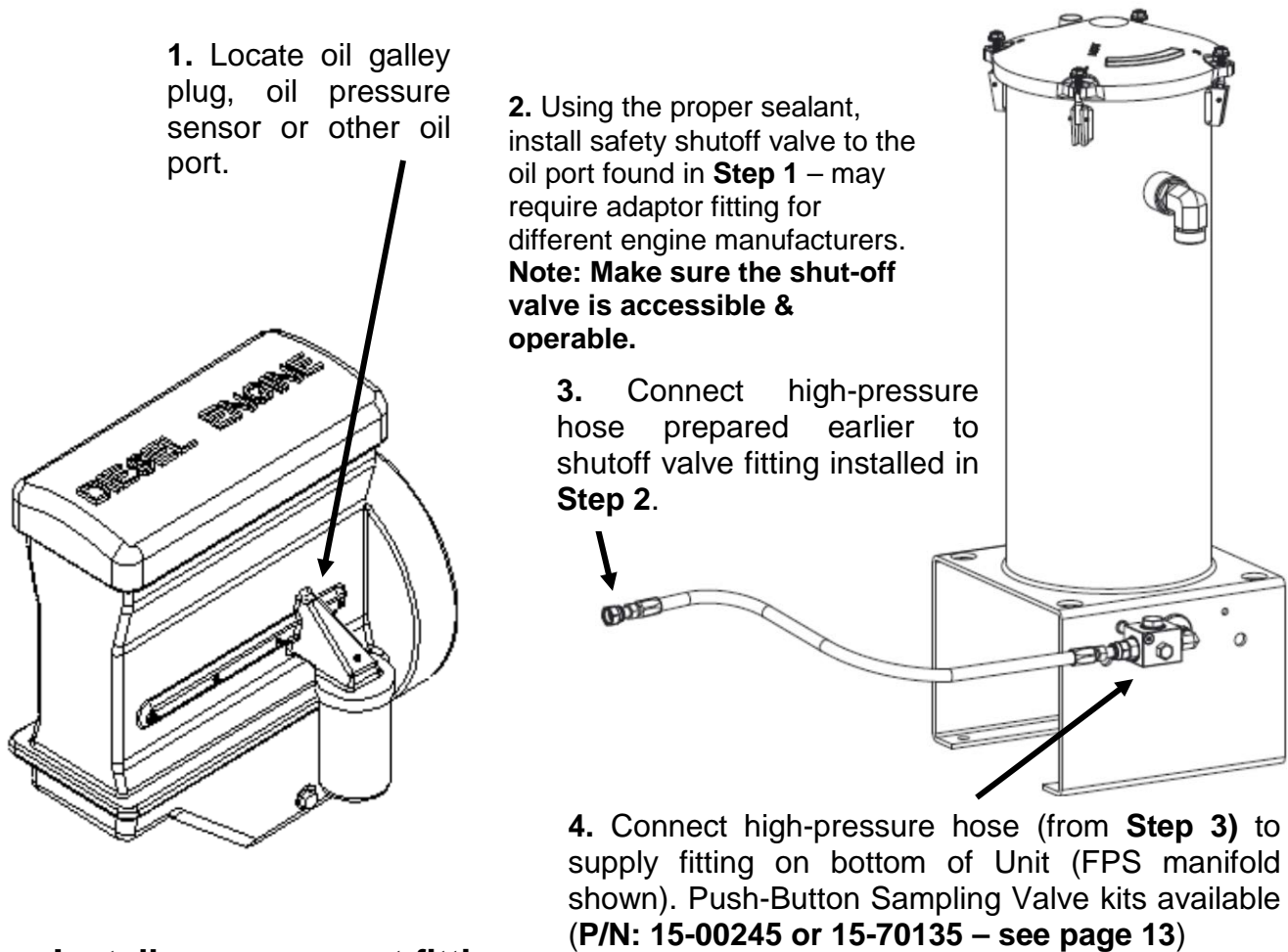
**CAUTION: NOT RECOMMENDED** to drill new holes (or weld) into equipment frame rails without first checking with the Original Equipment Manufacturer for approval.

**Puradyn recommends** always try to use existing holes in the frame rail or use of secure clamping devices to mount the Unit.

**Note:** Mounting clamps/brackets, pads and hardware may vary from above illustration.

## SEQUENCE ( II ) - Install Oil Supply (Pressure) Line

### Typical Oil Supply Line Connection



### Install pressure port fittings

**Step 1.** Find the oil pressure-sending unit or oil galley on the engine. The sending unit normally has a wire or cable running to the dash to indicate the oil pressure to the driver. If you are unable to connect to the oil-sending unit, find another oil port (usually near the factory full-flow oil filter) that you can connect to for Oil Supply (pressurized). **Note: It is necessary to put a gauge on that port and run the engine at high idle to check that the oil pressure is correct. As long as the oil pressure is under 65 psi, you can install the standard metering jet. If the pressure is above 65 psi, please contact Puradyn technical staff for applicability (please also review metering jet assembly drawing for maintenance procedures).**

**Step 2.** After locating the oil port that you will be connecting to, use the 90°- shutoff valve supplied from the kits bag, and install the fitting to the oil port (also, a 1/8" street tee and 1/4" NPT bushing have been supplied for different adaptation). **Note: 90°-shutoff valve fitting is supplied in the "OFF" position. After system installation is complete, remember to open the valve, so the oil can travel from the engine to the puraDYN® System.**

## Install Fittings to Pressure Hose

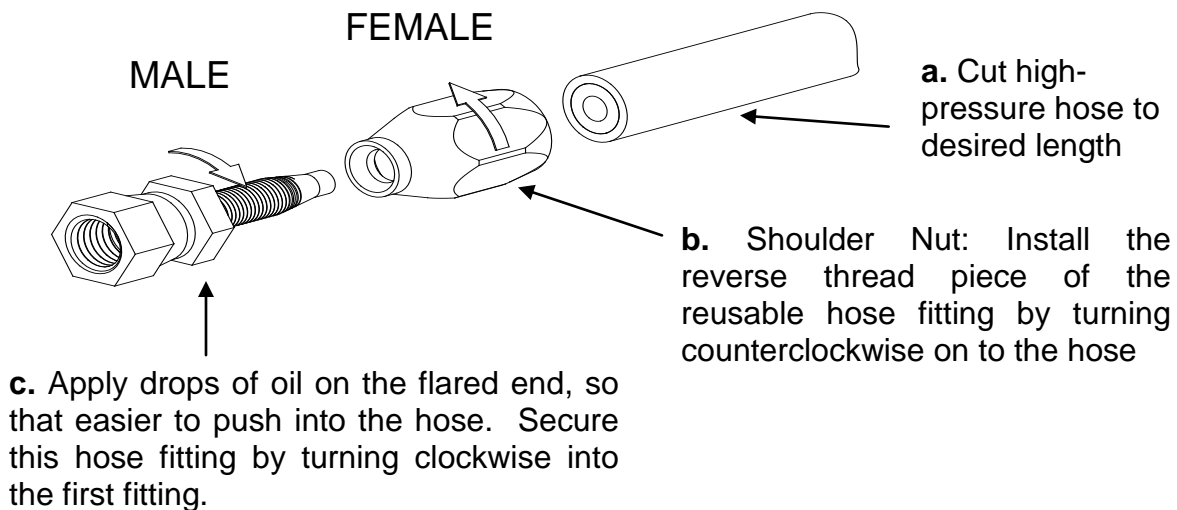
The puraDYN<sup>®</sup> System operates on oil supplied (pressurized) by the engine oil pump. The high-pressure hose is not included in the standard model, but can be supplied by your dealer, hydraulic parts store, most auto parts stores and Puradyn Filter Technologies Incorporated – it is sometimes custom made in specific kits where length of hose has been pre-determined.

### Specifications

- Use 3/16" I.D., 3000 psi fully braided hose rated for hydraulic oil (Puradyn part# 08-00003 or Weatherhead # H06904 or Aeroquip # FC350-4 or equivalent).
- Use proper sealants for installation of all fittings.

Take the two (2) supplied high-pressure flared reusable fittings and install them in the following manner:

- The shoulder nut has a reverse thread and must be screwed on in a counterclockwise direction. As soon as the nut starts to thread, insert the flared insert portion into the shoulder nut about three (3) turns.
- Tighten down the shoulder nut first, with a 5/8" wrench. Next tighten the flared insert, with a 9/16" wrench. Do these steps on both fittings.
- The next step is to remove both flared inserts, because during the threading process, the inserts pick up a small piece of rubber, which must be completely removed from hose. Then re-install both flared inserts again and blow out with high pressure air to clear out all the debris.





## ***Routing and Connecting Pressure Hose***

The kit comes with two reusable hose fittings for the 3/16" ID pressure hose. Measure and cut pressure hose to the proper length. Install reusable hose fittings to the pressure hose (as shown on previous page).

### **Continued from Step 2 (Page 7)**

**Step 3.** After (engine side) shut-off valve fitting has been installed properly, connect the pressure hose onto the shut-off valve fitting and route the hose to the Unit.

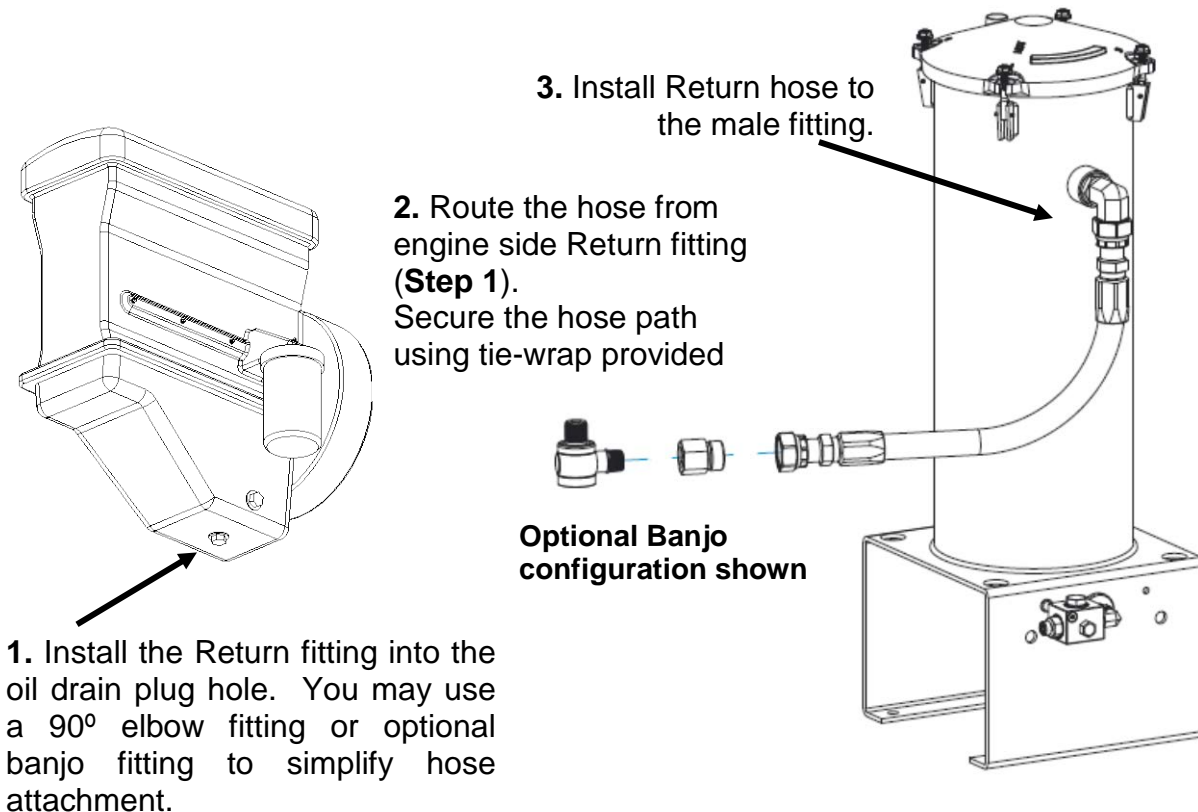
**Step 4.** Connect supply (pressure) hose that was routed from the engine side (Step 3) to the supply fitting on the bottom of the unit or to optional FPS manifold.

**For routing the hose, please take care that the hose is routed in a safe, out-of-the-way location, making sure it does not come in contact with any moving or abrasive parts or hot exhaust manifolds. Secure the pressure hose with supplied tie wraps to avoid moving or hot parts.**

*NOTE: The **puraDYN**<sup>®</sup> System will not affect engine oil pressure.*

## SEQUENCE ( III ) - Install Oil Return (Gravity Flow) Line

### Typical Oil Return Line Connection



**NOTE:** Banjo fittings are optional. They are NOT supplied with the **puradYN**<sup>®</sup> unit.

The Return hose is not included in the standard model, but can be supplied by your dealer, hydraulic parts store, most auto parts stores and Puradyn Filter Technologies Incorporated – it is sometimes custom made in specific kits where length of hose has been pre-determined.

**Specification:** Use 5/8" I.D., 1,500 psi, oil-rated hose, (Puradyn part# 08-00004, Parker 201-12-RL or equivalent).

**NOTE:** Any equipment or application subject to harsh operating environments (ex. Construction equipment) should use full braided steel hose with **puradYN**<sup>®</sup> System's optional Off Road Kit. Please call Puradyn for consultation.

## ***Unit Return Fitting, Determine Oil Return Location & Hose Routing***

### **Determine best locations to connect the oil return to engine:**

- The oil pan
- The oil drain port
- An inspection port on the side of the oil pan.

### **Use the following criteria to select an oil return point on the engine:**

- The oil return point must be discharge to a non-pressurized point of the engine. There cannot be any backpressure on the hose.

### **Determine Optional Banjo fitting sizes:**

- Once a Return location is selected, make sure that you have the correct Banjo fitting to attach to the oil pan. If your Banjo fitting size is not listed on web-site, please call Technical Support at 1-866-PURADYN for assistance.

### **Connecting the Return Line:**

**Step 1** - Remove oil pan drain plug and drain the old oil from the oil sump, take an oil sample so that it can be analyzed and compared with future oil analysis.

Install 5/8" Return hose onto the 90° elbow fitting or optional banjo fitting and connected to the oil drain plug hole. Using supplied hose clamp, to secure hose onto the fitting.

**Step. 2** - After replacing the drain plug with **puraDYN®** Banjo fitting or a 90° elbow fitting, route the Return hose to the secured Unit. Make sure the hose does not touch any moving or hot parts. Secure the hose with the tie wraps provided.

**Step. 3** - After routing determined, measure and cut return hose to the proper length. Before installing, make sure the hose is clean and there is no debris stuck in the line (use pressurized air to blow out the debris...etc). Connect the Return hose to the barbed male fitting. Lube the inside of the hose and push it all the way onto the fitting.

**When routing the oil return hose from the puraDYN® unit to the engine, make sure of the following:**

- **The return hose should be constantly descending, (recommend 12" above oil pan) with no dips, traps or sharp bends.**
- **Be sure that the hose does not come in contact with abrasive or moving parts or hot exhaust manifolds. Secure the hose using supplied tie wraps.**

## **SEQUENCE ( IV ) - puraDYN® System Start-Up**

After (puraDYN® Bypass Oil Filtration System) installation completed, please perform the following System Start-up to ensure the puraDYN® System is working properly:

1. Fill equipment with oil type and quantity as specified by OEM.
2. Start the engine, check for leaks. Trouble-shoot and correct condition as required.
3. If no other issue/s arises, let engine run for 15 to 30 minutes and check all connections between Engine & puraDYN® System again.
4. If no issues arise, shut engine down and let rest for 5 minutes.
5. Open lid and check for oil flow thru filter element. Close lid when done.
6. **Add puraDYN® System charging oil as indicated below (make sure use same OEM specified oil).**
7. **Note:** Additional oil requirements for charging up the new or replacement puraDYN® filter element

<b>Filter Model</b>	<b>Qty.</b>	<b>Unit</b>
MTS 40 Filter	4.0 (3.8)	Quarts (Liters)
MTS 60 Filter	6.0 (5.7)	Quarts (Liters)
MTS 240 Filter	12.0 (11.4)	Quarts (Liters)

- ✓ For OEM full flow filters, depending on size and orientation can hold an additional quantity of oil not shown in the oil makeup table above, please add oil as recommended by OEM.
- ✓ Use the engine's oil level dipstick to adjust or determine the proper oil level when installing or replacing oil filters or when performing routine preventive maintenance.
- ✓ Whenever using a bypass filter element for the first time (new install, filter element replacement) remember to allow time for the new bypass element to charge (completely fill with oil), and run for a few minutes after it is charged (filtered oil returning to oil pan) before making final adjustments to the oil level using the OEM oil level dipstick.

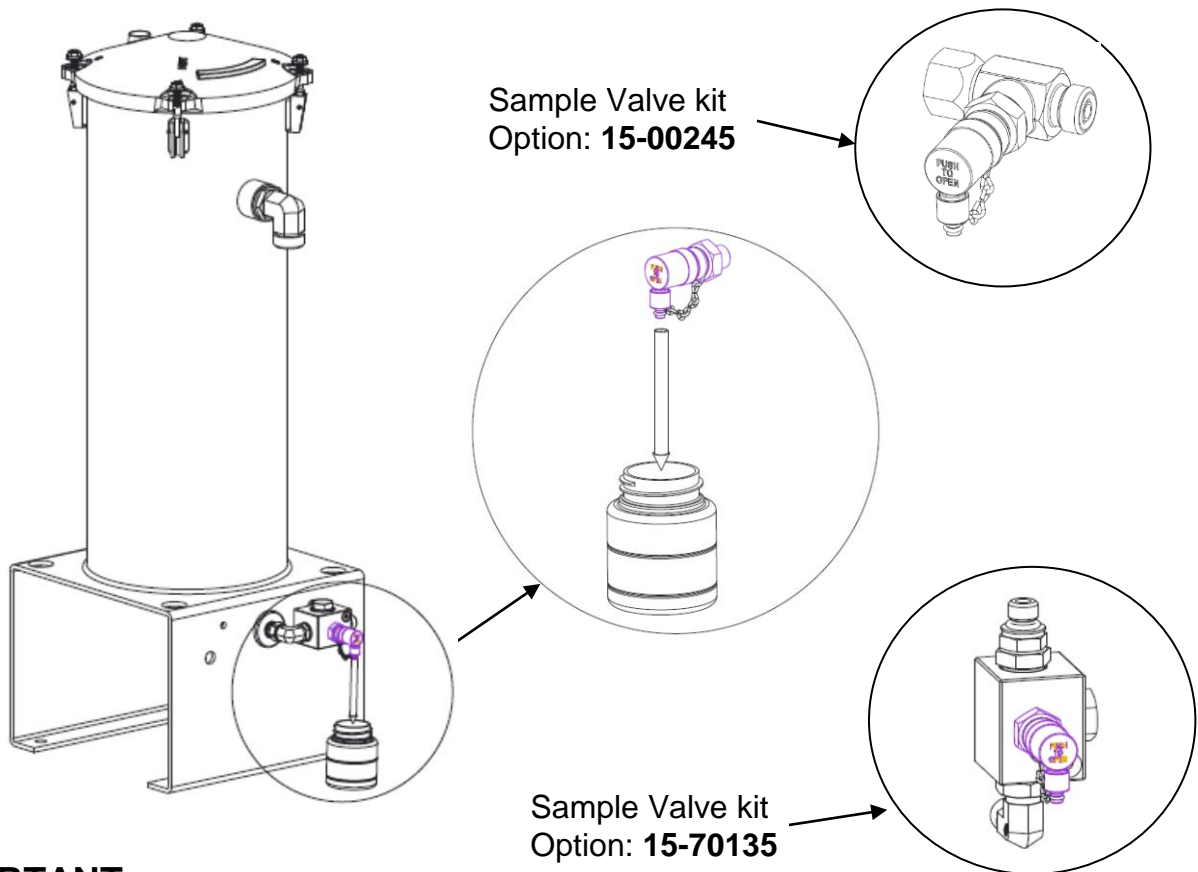
**8. System Start-Up validated, puraDYN® System is ready to work.**

## Sampling Oil Procedures

**Benefit of Sample Oil Analysis:** As long as the oil sample results returned to you by the independent lab confirm the oil is still good for continued use, there is no need to change your oil.

### Sampling Steps:

- Start the engine and bring oil to operating temperature
- Open oil sample valve
- Draw off 1 cup of oil to purge sediment from oil sample valve
- Open oil sample bottle and draw off oil to fill until 3/4 full
- Close lid on bottle
- Fill out oil sample form completely and mail Oil Analysis kit to lab for analysis.



### IMPORTANT:

**Note:** After the puradYN<sup>®</sup> System is installed and start-up validated, please complete Registration Card for warranty coverage and return to Puradyn within 30 days to be in effect. Web Registration is also available on our website: [www.puradyn.com](http://www.puradyn.com).

## ***Oil Analysis Data Interpretation***

The Puradyn Filter Technologies Oil Management Program uses oil-analysis results to assist our customers in achieving the benefits of extended oil drain intervals and longer service life for their engines and equipment.

Oil analysis is the key to achieving the benefits that optimize oil life and extend drain intervals. In addition, oil analysis is the only economical way to measure wear or contamination in the engine or equipment. Of primary importance is the interpretation of the test data. Typical Oil Analysis Report usually presents the data in an easy to understand format and results.

Typical puraDYN<sup>®</sup> oil analysis conducted by an independent laboratory will contain the following parameters and provide a recommendation to continue usage of oil OR change oil.

- Additive Metals
- Total Base Number (TBN) ability to neutralize acid
- Wear metals
- Liquid Contaminant
- Solid Contaminants

These data must be monitored to fully evaluate the lubrication system. The analysis will provide a “picture” and / or warning, if necessary, of any existing or potential problems.

**Note:** Oil analysis is required in order to maintain Puradyn’s warranty and ensure your puraDYN<sup>®</sup> System filtered oil meets engine manufacturer’s oil specifications.

## Oil Analysis and Service Schedules

When a puraDYN® Bypass Oil Filtration System is installed as an aftermarket item, prepare the following:

1. Change oil and full flow filter at the time of initial installation. Take a sample from the old and the new oil for establish old and new oil baseline analysis.
2. Then, at one-half manufacturer-recommended oil service interval, change the puraDYN® replacement filter, full flow filter and take an oil analysis sample.
3. Thereafter, change the scheduled puraDYN® replacement filter and perform oil analysis at the interval shown below or as oil analysis recommend or indicates. Continue using oil if lab report indicates oil is up to spec for continuing use.

**Note:** Oil samples should be taken while the engine is running at normal operating temperature.

### Recommended Oil Analysis & Service Schedule to Extend Oil Life

Service Item	Before Install	After puraDYN® Install (New Oil Baseline)	One Half Interval	OEM Interval	OEM Interval	OEM Interval
Take Oil Analysis Sample	✓	✓	✓	✓	✓	✓
Change puraDYN® Filter		✓	✓	✓	✓	✓
Change Full Flow Filter		✓	✓	✓	✓	✓
Change Oil		✓	*	*	*	*

\* Oil change required when lab results indicate

## ***Troubleshooting***

The puraDYN® unit has been engineered to be as simple and trouble-free as possible. It is manufactured from the highest quality materials available and superior workmanship. If, however, your puraDYN® unit is not functioning properly, check the following conditions, and correct as indicated:

### **1. Restricted oil flow**

### **Remedy**

Shutoff valve closed .....	Open valve
Filter dirty and clogged .....	Replace with new filter
Clogged metering jet screen .....	Clean screen thoroughly
Clogged metering jet .....	Clean jet thoroughly

***NOTE: If you experience any problem with your system not covered in the above trouble shooting guide, please call Puradyn Tech Support at (561-547-9499).***



## **Questions & Answers**

### **Q. What type of oil should be used with the puraDYN® System?**

A. Any high quality oil with a high total base number (TBN) or additive package that meets or exceeds the specifications established or recommended by the OEM.

### **Q. Will the puraDYN® System work with the new extended change interval synthetic oils?**

A. Yes. The puraDYN® System is completely compatible with synthetic oils. Although these oils have a superior lubrication value over mineral oils, they are still susceptible to solid contamination buildup and liquid contaminants, such as water and fuel dilution.

### **Q. Can puraDYN® System be used on any engine?**

A. The puraDYN® System can be installed on almost any engine such as automobiles, trucks, buses, boats, generators or any other types of industrial equipment with an engine or pressurized lubricating system.

### **Q. Will the installation of the puraDYN® System on my engine or other type of equipment affects the manufacturer's warranty?**

A. No. The puraDYN® System is a bypass unit cleaning the oil at a rate of 6 gallons (24 liters) per hour and is used in addition to the OEM full flow filter. It enhances the OEM full flow filter's performance, greatly extending its life. We have opinion letters from most major engine manufacturers, such as Detroit Diesel, Caterpillar, Cummins, Ford Motor Co., and many others (copies available upon request), which state that the installation and use of a non-factory accessory, such as the puraDYN® System, does not, in itself, void the manufacturers warranty.

### **Q. Can puraDYN® System be used on other equipment besides engines?**

A. Yes. The puraDYN® System can be used on many types of hydraulic equipment, compressors as well as most engines that do not use a pressurized sump.

**Q. How difficult is it to install the puraDYN® System?**

A. The puraDYN® System can be easily installed on almost any engine (this includes engines with metric fittings) in usually 2 hours or less. Detailed instructions for do-it-yourself installations are provided or any qualified mechanic can easily perform the installation.

**Q. Will the puraDYN® System cause a drop in oil pressure?**

A. No. The oil will build up a head of pressure against the metering jet at the bottom of the puraDYN® System and will not change the oil pressure of the engine or affect the normal operation of the engine or the OEM full flow filter.

**Q. At what rate does the puraDYN® System clean the oil?**

A. The puraDYN® System cleans the oil at approximately 6 gallons per hour at 65 psi.

**Q. What is the puraDYN® System warranty?**

A. Yes. The puraDYN® System carries a 5-year unlimited miles or hours warranty against defects in materials and workmanship, with a six-month money-back performance guarantee, Consumables Not Covered include O-rings, Gaskets and Filter Elements from normal wear". Please call Puradyn for more details.

**Q. Should I change my existing oil when fitting a puraDYN® System to my truck, car, or other equipment?**

A. Yes. It is best to start out with new oil where the viscosity and additive levels are a known factor. In addition, we recommend taking a sample of the new oil and a sample of the drained oil to establish a base line for later comparisons.

## **Maintenance:**

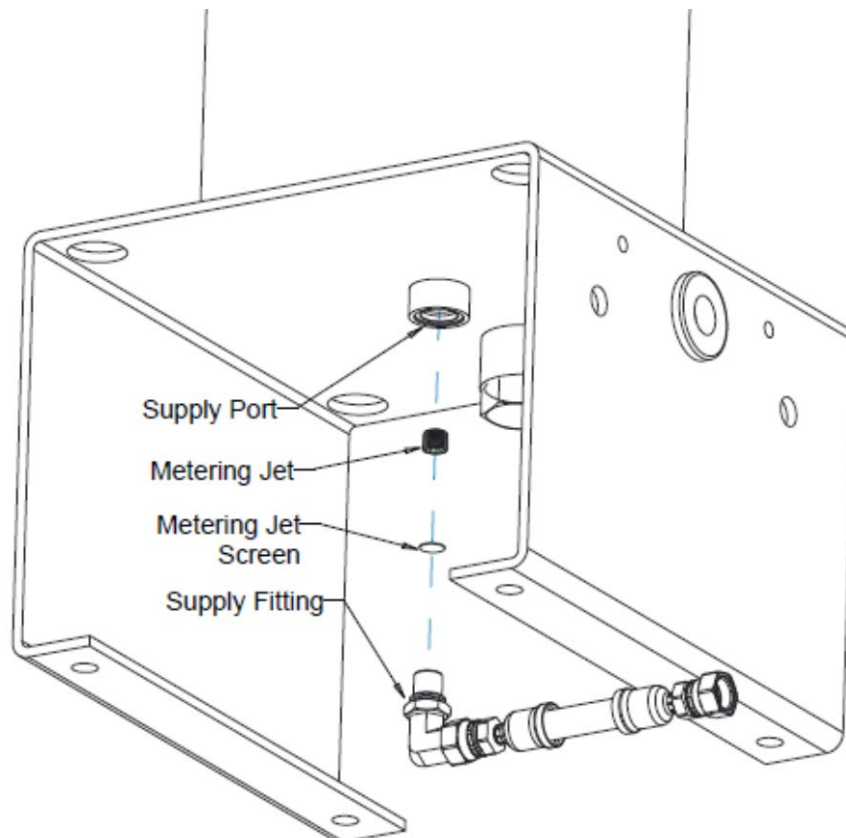
### **Cleaning the Metering Jet Assembly**

Rarely does the metering jet itself get plugged. However, the protective mesh screen may build up debris or large particles that could impede oil flow over time.

**IMPORTANT:** *When the engine or equipment is turned off. Carefully remove the supply hose from each supply fitting (residual oil may still be present in fittings, bypass system or hose). Blow out the oil supply hose with high air pressure before proceeding to refastening supply hose. Failure to do so will result in hose, screen or metering jet becoming clogged again.*

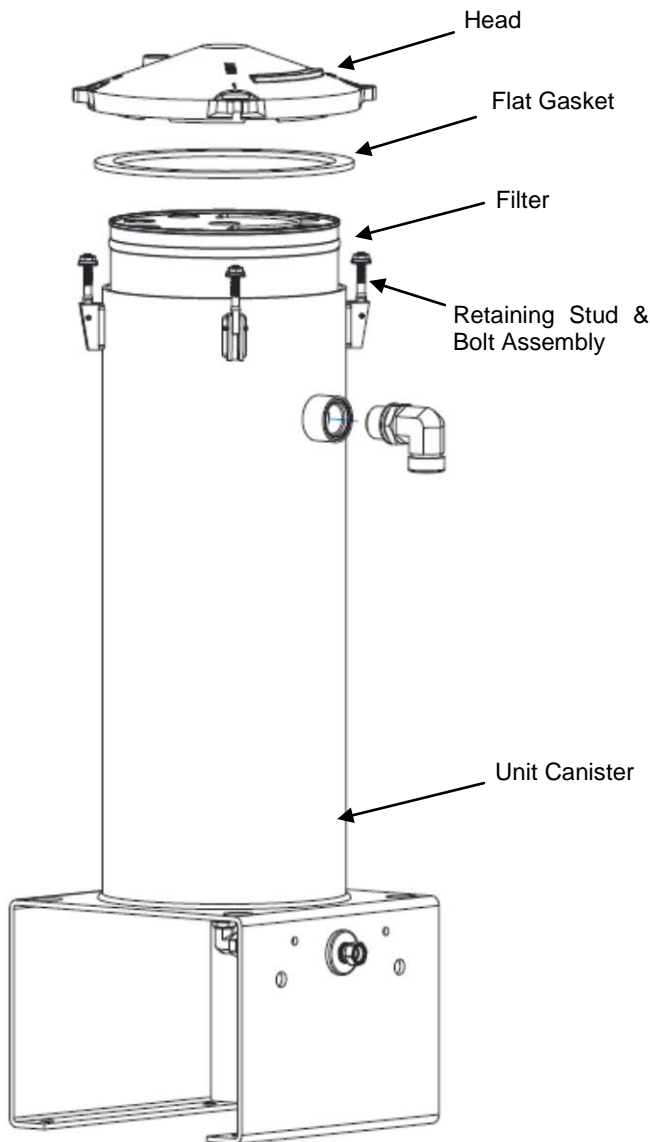
### **Canister and Metering Jet Dis-Assembly**

- 1) Loosen and remove supply fittings on the bottom of the Filter Housing.
- 2) Remove the screen from the supply port (use caution to avoid damaging port threads).
- 3) Using a Hex Drive remove the metering jet.
- 4) Reinstall in reverse order from Step 3.



## Filter Element Service Requirements

**WARNING:  
UNIT IS HOT  
USE CAUTION**



### Lid Removal, Filter Element Replacement and Lid Reinstall

1. Engine must be **shutoff** and time allowed for the oil to drain from using before changing the filter element.
2. Loosen the four nuts on the retaining studs, enough to allow the studs to swing clear of HEAD (lid).
3. Remove the HEAD (lid) from TF Unit. Inject flat gasket inside HEAD. Gasket should be regularly be replaced. **Note:** The Canister and HEAD can be **HOT!!!**
4. Remove the filter by firmly pulling up on the wire handle. **Note: Be sure to save the new filter plastic bag, and reuse for spent filter in order to prevent oil spills.**
5. Insert the new filter into the Unit, making sure the rubber grommet at the bottom fits securely over the nipple in the bottom of the Unit canister.
6. Install new Flat Gasket into HEAD, if applicable. *Refer to serviceable parts manual for gasket part number.*
7. Place the HEAD (lid) on the TF Unit (making sure the flat gasket on the underside of the HEAD is securely in place).
8. Swing the four studs into position to tighten.
9. Tighten the nuts securely (5–8 ft-lbs./torque) using a diagonal (star) pattern as indicated on the Lid.

## ***Required Tools and Items for puraDYN® System Installation***

1. Drill and assorted drill bits
2. Teflon paste or equivalent thread sealant
3. Open-end wrench assortment (3/8", 7/16," 1/2" 9/16", 5/8", and 3/4")
4. 3/8" or 1/2" drive ratchet with socket assortment (3/8", 7/16," 1/2" 9/16", 5/8", and 3/4")
5. Large, adjustable crescent wrench
6. Cutting, crimping and wire-stripping pliers
7. Hacksaw
8. Utility knife
9. Center punch
10. Optional banjo fitting to make return hose connection to engine
11. 3/16" I.D. high-pressure hose
12. 5/8" I.D. return hose
13. Oil analysis kit(s)
14. New OEM full-flow oil filter(s)
15. New oil, as recommended by engine manufacturer
16. Oil pressure gauge (to verify oil pressure is below 110 psi)
17. Compressed air to blow out pressure hose upon assembling fittings
18. Safety eye protectors (shop type)
19. Protective gloves to handle hot-oil
20. Allen-wrenches (U.S. standard sizes)



Puradyn Filter Technologies Incorporated  
**PRODUCT LIMITED WARRANTY**  
puradYN® Bypass Oil Filtration System

**Limited Warranty**

The puradYN bypass oil filtration system is warranted to be free from defects in material and workmanship for a period of five (5) years from the date of purchase, with the exception of the heating element which is warranted for one (1) year from the date of purchase. All optional, off-the-shelf, third party parts are not warranted. This warranty is only available to the original end-user purchaser and is not assignable or transferable. You MUST return the registration card completely filled out (or register and submit the online registration form at [www.puradyn.com](http://www.puradyn.com)) within 30 days of your purchase as a condition precedent to receive coverage and performance under our warranty. Further, your failure to provide proof of purchase, which clearly states the date of purchase, shall void this warranty and the obligations and rights hereunder.

The puradYN, including any defective part therein, must be returned to an authorized sales representative, dealer, distributor, or to Puradyn within the material and workmanship warranty period. The sales representative, dealer, distributor, or Puradyn will then execute the warranty procedures on the owner's behalf. Puradyn's responsibility in respect to warranty claims is limited to providing the required repairs or replacements to the product itself, and no claim of breach of warranty shall be cause for cancellation or rescission of the contract of sale of any Puradyn products.

For warranty questions or issues, please contact: Puradyn Filter Technologies Incorporated, Attention: Warranty Department, 2017 High Ridge Road, Boynton Beach, FL 33426 USA (T) +1 561 547 9499. If the product is not free from defects in materials and workmanship during the warranty period, Puradyn, at its option and expense will (i) repair the subject product by your return of the product to Puradyn, (ii) replace the subject product by having the replacement sent to your location, or (iii) refund the purchase price for the product as identified in your proof of purchase. In the event that without prior consultation with Puradyn, repair work or any other change to the damage is executed, the right to warranty is invalidated and Puradyn is not bound to pay any compensation for damage. For other claims, including bodily injury based on the deficiency of the puradYN system, the legal stipulations apply (see below).

This warranty does not cover any economic loss, including without limitation, communication expenses, towing mechanic's travel time and/or mileage, meals, lodging, loss of use of the engine or equipment, loss of time, revenue, inconvenience, cargo damage, premium charged for overtime labor requested by the purchaser, and for any service and/or maintenance, or any other cost or expense resulting from a defect covered by this warranty. Repairs or replacements due to an accident, failure to follow operating instructions, misuse, alteration, misapplication, storage damage, negligence, modification exceeding puradYN system specifications, or improper installation are not covered by this warranty. The above-mentioned warranty and Puradyn's liability will never extend beyond (the consequence of) defects in the puradYN systems themselves. Damage caused by other means or by third parties, such as errors during installation or by incorrect mounting of pieces of hoses, is not covered either by this warranty or by product liability.

This Warranty expires if and when:

- a. The puradYN systems are handled without due care or in contradiction with the instructions for use, or if used for purposes other than its appropriate purpose.
- b. Cartridges other than the original puradYN filter elements have been applied.
- c. The defect and/or damage is a result of a natural disaster, act of God, act of terrorism or military action, improper storage, embargoes, accident, misuse, incorrect use or any other outside cause or condition beyond Puradyn's control.

Puradyn reserves the right to change or improve the design of any Puradyn product without assuming any obligation to modify any Puradyn product previously manufactured. The product may contain certain components that have been remanufactured or refurbished following limited prior use.

*EXCEPT AS STATED ABOVE, PURADYN SHALL NOT BE LIABLE IN CONTRACT, TORT, STRICT LIABILITY OR NEGLIGENCE FOR ANY DIRECT, INCIDENTAL OR CONSEQUENTIAL DAMAGES OR FOR BREACH OF ANY WRITTEN OR IMPLIED WARRANTY. PURADYN NEITHER ASSUMES NOR AUTHORIZES ANY OTHER PERSON TO ASSUME FOR PURADYN ANY OTHER LIABILITY IN CONNECTION WITH THE SALE OF THE PRODUCT. EXCEPT FOR THE EXPRESS WARRANTY STATED ABOVE, THERE ARE NO WARRANTIES EXPRESSED OR IMPLIED. THIS WARRANTY SHALL BE GOVERNED BY AND CONSTRUED, INTERPRETED, AND ENFORCED IN ACCORDANCE WITH THE LAWS OF THE STATE OF FLORIDA, USA. EXCLUSIVE VENUE AND JURISDICTION SHALL BE IN PALM BEACH COUNTY, FLORIDA, USA.*



Puradyn Filter Technologies Incorporated  
**PRODUCT LIMITED LIABILITY GUARANTEE**  
puradYN® Bypass Oil Filtration System

**Our Guarantee**

Puradyn carries a \$1,000,000 (per occurrence) domestic and international Commercial Liability Policy to protect your investment while saving you money. All optional, off-the-shelf, third-party parts are not covered under our product limited liability guarantee.

PFTI shall repair the damage to any engine caused directly and solely by the puradYN provided that **1)** the puradYN is properly installed and maintained in accordance with the prescribed installation guidelines and service intervals contained in the PFTI installation manual; **2)** the puradYN is installed and maintained on an engine which is in normal running and mechanical condition at the time of installation and which continues to be properly maintained in accordance with the engine manufacturer's recommended service intervals (other than recommended oil changes); **3)** the puradYN is installed on an engine in which the replacement engine oil meets or exceeds the engine manufacturer's recommended grade of engine oil; **4)** the proper puradYN filter elements and the engine's standard full-flow filter elements are installed, used and replaced in accordance with the PFTI installation manual; and **5)** the oil analyses are performed by a qualified laboratory at the same intervals you change the puradYN filter element, but at least once a year.

Additionally, within five calendar days following the discovery of such damage, the customer must give written notice to Puradyn Filter Technologies Incorporated, 2017 High Ridge Road, Boynton Beach, Florida 33426, and allow a service representative of PFTI to **(a)** examine the damaged engine on which the puradYN is installed; **(b)** examine the oil inside said damaged engine at the time such damage is discovered; **(c)** examine the required periodic oil analysis reports; and **(d)** examine the installation of the puradYN at the time damage is discovered in order to permit PFTI to determine the extent of damage and whether it was caused solely and directly by the puradYN

**OIL ANALYSIS AND Optimal SERVICE SCHEDULE - RECORDING  
TEMPLATE**

Interval	Old Oil Baseline	New puraDYN®	One Half Interval	OEM Interval	OEM Interval	OEM Interval
Engine Hours Hrs or Miles	log	0 hrs	log	log	log	log
Oil Analysis Sample	Sample Date	Sample Date		Sample Date	Sample Date	Sample Date
puraDYN® Filter	Change Date		Change Date	Change Date	Change Date	Change Date
Full Flow Filter	Change Date			Change Date	Change Date	Change Date
Lab Results will indicate recommendation	Oil Change No Change	<u>New Oil</u>		Oil Change No Change	Oil Change No Change	Oil Change No Change

**NOTES**





Puradyn Filter Technologies Incorporated  
2017 High Ridge Road  
Boynton Beach, Florida 33426  
(T) 561 547 9499  
Toll Free: 866-PURADYN (787 2396)  
(F) 561 547 8629  
<http://www.puradyn.com>

**Protect Your Investment!**  
**REGISTER YOUR PRODUCT FOR WARRANTY COVERAGE**  
**Online at [www.puradyn.com](http://www.puradyn.com)**

Purchased by: _____	Date: _____
Installed by: _____	Date: _____
Record unit serial # for future reference: _____	
_____	