



Puradyn Filter Technologies, Inc.

PFT Model Serviceable Parts Manual

Updated on October 24, 2011

Manual #19-00010 Revision E

North America Contact Information

Customer Service/Orders/Technical Assistance
Toll Free: 1-866-PURADYN (787-2396)
Telephone: +1 561 547 9499
Fax: +1 561 547 8629

International Contact Information

Customer Service/Orders/Technical Assistance
Toll Free: 1-866-PURADYN (787-2396)
Telephone: +1 561 547 9499
Fax: +1 561 547 8629

E-mail: customerservice@puradyn.com

Corporate Mailing Address

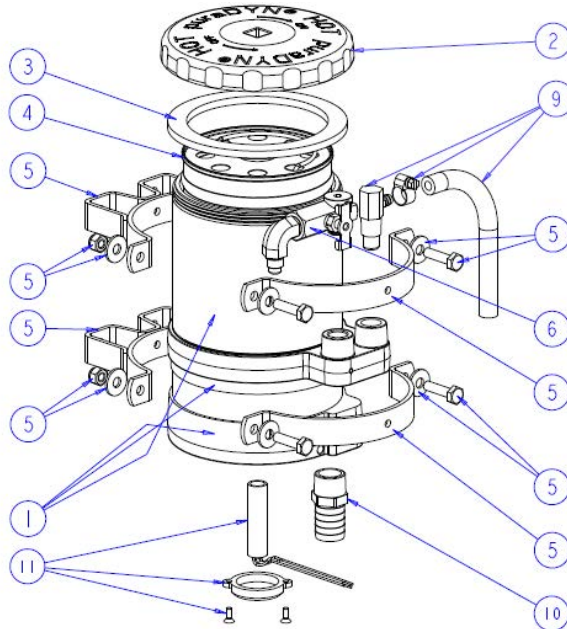
Puradyn Filter Technologies Inc.
2017 High Ridge Road
Boynton Beach, FL 33426 USA
Internet: www.puradyn.com

Table of Contents

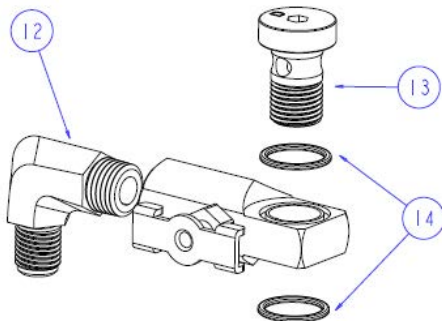
PFT8 UNIT.....	3
PFT12 UNIT.....	4
PFT24 UNIT.....	5
PFT40 UNIT.....	6
PFT60 UNIT.....	7
ELECTRICAL ACCESSORIES.....	8
HOSES & HOSE FITTINGS.....	9



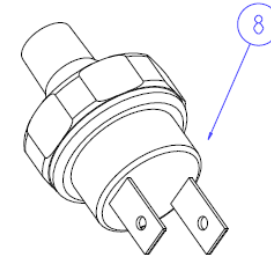
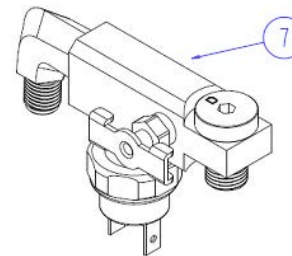
PFT8 BYPASS OIL FILTRATION UNIT



Exploded View of Metering Jet Assembly



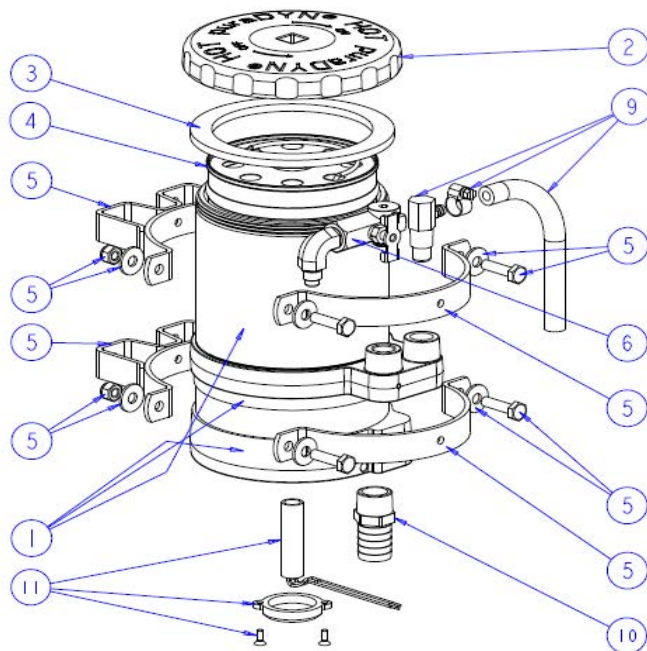
Optional: Metering Jet assembly with Pressure Switch →



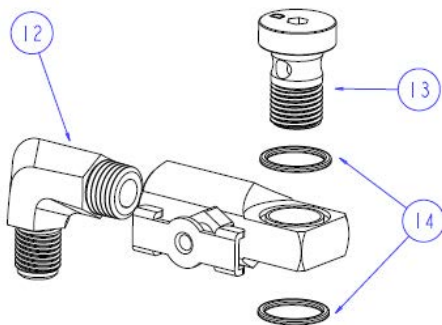
ITEM	Puradyn P/N	PFT8 UNIT - SERVICEABLE PART DESCRIPTION	QTY
1	15-00089	Kit, PFT8 Main Body Assembly (Includes Sleeve, Head & Diffuser)	1
2	15-00107	Kit, PFT8 Lid (Includes PFT8 Lid and 18-00013 Rubber Lid Gasket)	1
3	18-00013	Rubber Lid Gasket, PFT8	1
4		Filter, Size 8 (See Filter Listing Manual 19-00201 for Available Filters)	1
5	15-00162	Kit, Clamp Set with Bolts (Includes one "W" and one "C" Clamp)	2
6a	15-00076	Kit, PFT8 Outside Metering Jet Assembly, Intermediate Pressure Jet (30-65 PSI for PFT8)	1
6b	15-00081	Kit, PFT8 Outside Metering Jet Assembly, High Pressure Jet (65-100 PSI for PFT8)	1
7a	15-00041	Kit, Outside Metering Jet Assembly (30-65 PSI for PFT8), includes pressure switch	1
7b	15-00042	Kit, Outside Metering Jet Assembly (65-100 PSI for PFT8), includes pressure switch	1
8	07-00007	Pressure Switch, without metering jet assembly	1
9	15-00168	Vent Valve Assembly, 1/4" NPT with Vent tube hose and Clamp	1
10	14-00007	Fitting, 1/2" MNPT x 3/4" Push-on Hose Barb (Requires Hose Clamp 34-00010)	1
11	15-00046	Kit, PFT8 Dual Voltage Heater (Includes 3-Wire Dual Voltage 14/28 VDC 150 Watt PFT8 Heating Element, Raised Heater Cover, two screws and Wiring Instructions)	1
12	14-00116	Fitting, 1/4" MJIC x 1/4" MNPT 90° Elbow	1
13	04-00079	Steel Metering Jet Bolt (Requires purchase of two 18-00038 O-Rings)	1
14	18-00038	O-Ring for Metering Jet Bolt	2



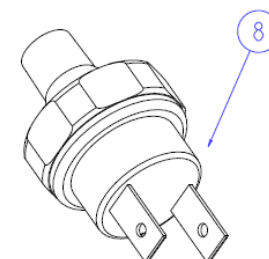
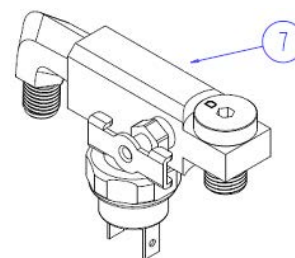
PFT12 BYPASS OIL FILTRATION UNIT



Exploded View of Metering Jet Assembly



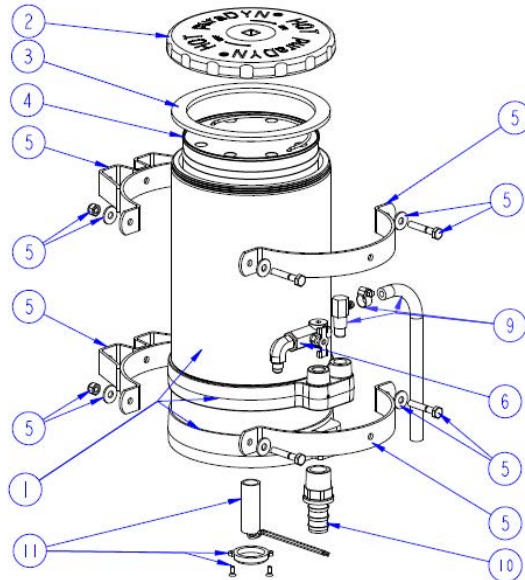
Optional: Metering Jet assembly with Pressure Switch →



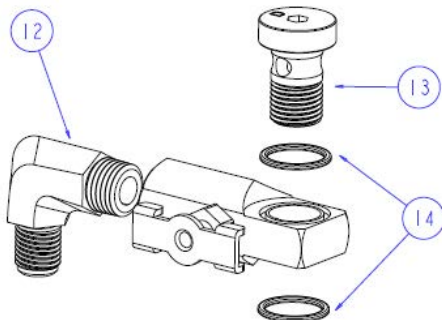
ITEM	Puradyn P/N	PFT12 UNIT - SERVICEABLE PART DESCRIPTION	QTY
1	15-00090	Kit, PFT12 Main Body Assembly (Includes Sleeve, Head & Diffuser)	1
2	15-00108	Kit, PFT12/24 Lid (Includes PFT12/24 Lid and 18-00030 Rubber Lid Gasket)	1
3	18-00030	Rubber Lid Gasket, PFT12/24	1
4		Filter, Size 12 (See Filter Listing Manual 19-00201 for Available Filters)	1
5	15-00167	Kit, Clamp Set with Bolts, PFT12/24 (Includes one "W" and one "C" Clamp)	2
6a	15-00077	Kit, Outside Metering Jet Assembly, Low Pressure (<30 PSI)	1
6b	15-00080	Kit, PFT Outside Metering Jet Assembly, Standard Pressure Jet (30-65 PSI for PFT12-60)	1
6c	15-00081	Kit, PFT Outside Metering Jet Assembly, High Pressure Jet (65-100 PSI for PFT12-60)	1
7a	15-00040	Kit, Outside Metering Jet Assembly, Low Pressure (<30 PSI) with Pressure Switch	1
7b	15-00082	Kit, PFT Outside Metering Jet Assembly, Standard Pressure Jet (30-65 PSI for PFT12-60) with Pressure Switch	1
7c	15-00042	Kit, PFT Outside Metering Jet Assembly, High Pressure Jet (65-100 PSI for PFT12-60) with Pressure Switch	1
8	07-00007	Pressure Switch, without metering jet assembly	1
9	15-00168	Vent Valve Assembly, 1/4" NPT with Vent tube hose and Clamp	1
10	14-00051	Fitting, 3/4" MNPT x 3/4" Push-on Hose Barb	1
11	15-00047	Kit, PFT12-60 Dual Voltage Heater (Includes 3-Wire Dual Voltage 14/28VDC 150 Watt PFT12-60 Heating Element, Raised Heater Cover, two screws and wiring instructions)	1
12	14-00116	Fitting, 1/4" MJIC x 1/4" MNPT 90° Elbow	1
13	04-00079	Steel Metering Jet Bolt (Requires purchase of two 18-00038 O-Rings)	1
14	18-00038	O-Ring for Metering Jet Bolt	2



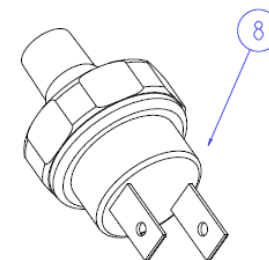
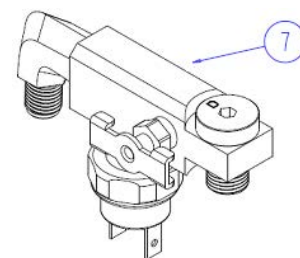
PFT24 BYPASS OIL FILTRATION UNIT



Exploded View of Metering Jet Assembly



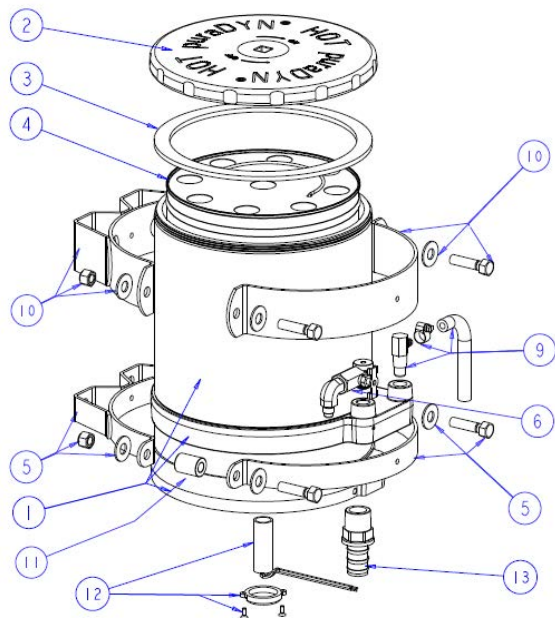
Optional: Metering Jet assembly with Pressure Switch →



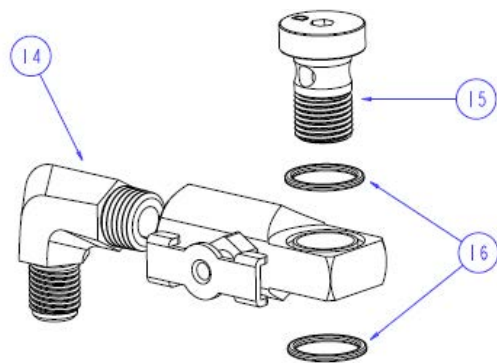
ITEM	Puradyn P/N	PFT24 UNIT - SERVICEABLE PART DESCRIPTION	QTY
1	15-00091	Kit, PFT24 Main Body Assembly (Includes Sleeve, Head & Diffuser)	1
2	15-00108	Kit, PFT12/24 Lid (Includes PFT12/24 Lid and 18-00030 Rubber Lid Gasket)	1
3	18-00030	Rubber Lid Gasket, PFT12/24	1
4		Filter, Size 12 (See Filter Listing Manual 19-00201 for Available Filters)	1
5	15-00167	Kit, Clamp Set with Bolts, PFT12/24 (Includes one "W" and one "C" Clamp)	2
6a	15-00077	Kit, Outside Metering Jet Assembly, Low Pressure (<30 PSI)	1
6b	15-00080	Kit, PFT Outside Metering Jet Assembly, Standard Pressure Jet (30-65 PSI for PFT12-60)	1
6c	15-00081	Kit, PFT Outside Metering Jet Assembly, High Pressure Jet (65-100 PSI for PFT12-60)	1
7a	15-00040	Kit, Outside Metering Jet Assembly, Low Pressure (<30 PSI) with Pressure Switch	1
7b	15-00082	Kit, PFT Outside Metering Jet Assembly, Standard Pressure Jet (30-65 PSI for PFT12-60) with Pressure Switch	1
7c	15-00042	Kit, PFT Outside Metering Jet Assembly, High Pressure Jet (65-100 PSI for PFT12-60) with Pressure Switch	1
8	07-00007	Pressure Switch, without metering jet assembly	1
9	15-00168	Vent Valve Assembly, 1/4" NPT with Vent tube hose and Clamp	1
10	14-00051	Fitting, 3/4" MNPT x 3/4" Push-on Hose Barb	1
11	15-00047	Kit, PFT12-60 Dual Voltage Heater (Includes 3-Wire Dual Voltage 14/28VDC 150 Watt PFT12-60 Heating Element, Raised Heater Cover, two screws and wiring instructions)	1
12	14-00116	Fitting, 1/4" MJIC x 1/4" MNPT 90° Elbow	1
13	04-00079	Steel Metering Jet Bolt (Requires purchase of two 18-00038 O-Rings)	1
14	18-00038	O-Ring for Metering Jet Bolt	2



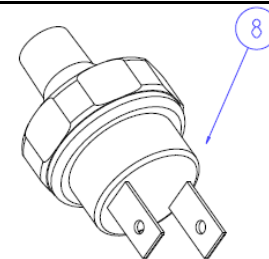
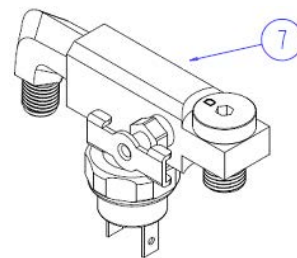
PFT40 BYPASS OIL FILTRATION UNIT



Exploded View of Metering Jet Assembly



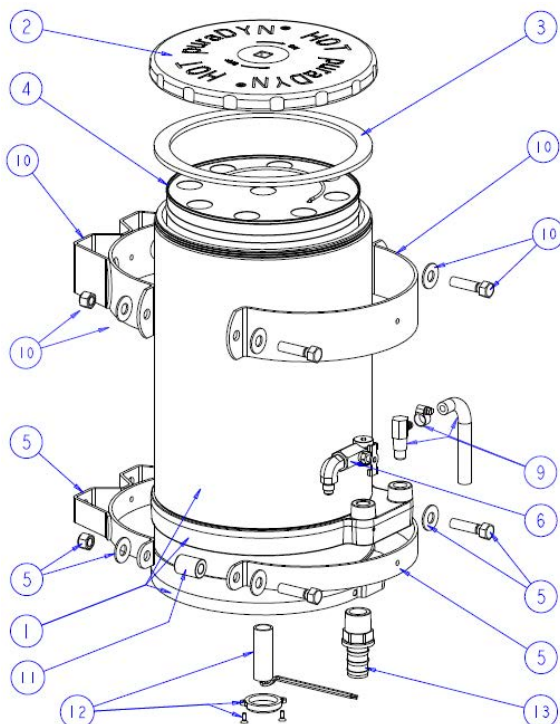
Optional: Metering Jet assembly with Pressure Switch →



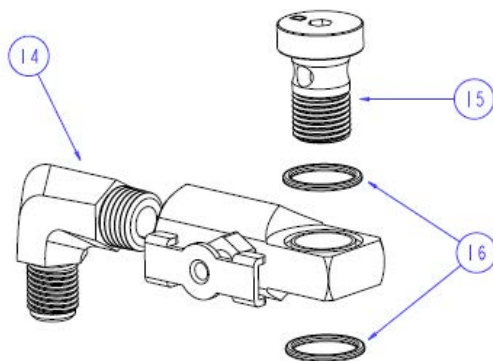
ITEM	Puradyn P/N	PFT40 UNIT - SERVICEABLE PART DESCRIPTION	QTY
1	15-00092	Kit, PFT40 Main Body Assembly (Includes Sleeve, Head & Diffuser)	1
2	15-00109	Kit, PFT40/60 Lid (Includes PFT40/60 Lid and 18-00014 Rubber Lid Gasket)	1
3	18-00014	Rubber Lid Gasket, PFT40/60	1
4		Filter, Size 40 (See Filter Listing Manual 19-00201 for Available Filters)	1
5	15-00163	Kit, Clamp Set with Bolts, PFT40/60 (Includes one "W" and one "C" Clamp)	1
6a	15-00077	Kit, Outside Metering Jet Assembly, Low Pressure (<30 PSI)	1
6b	15-00080	Kit, PFT Outside Metering Jet Assembly, Standard Pressure Jet (30-65 PSI for PFT12-60)	1
6c	15-00081	Kit, PFT Outside Metering Jet Assembly, High Pressure Jet (65-100 PSI for PFT12-60)	1
7a	15-00040	Kit, Outside Metering Jet Assembly, Low Pressure (<30 PSI) with Pressure Switch	1
7b	15-00082	Kit, PFT Outside Metering Jet Assembly, Standard Pressure Jet (30-65 PSI for PFT12-60) with Pressure Switch	1
7c	15-00042	Kit, PFT Outside Metering Jet Assembly, High Pressure Jet (65-100 PSI for PFT12-60) with Pressure Switch	1
8	07-00007	Pressure Switch, without metering jet assembly	1
9	15-00168	Vent Valve Assembly, 1/4" NPT with Vent tube hose and Clamp	1
10	15-00164	Kit, 2 inch Clamp Set with Bolts, PFT12/24 (Includes one "W" and one "C" Clamp)	
11	17-00022	Spacer, 3/4" O.D. x 1" Long, PFT40-60	2
12	15-00047	Kit, PFT12-60 Dual Voltage Heater (Includes 3-Wire Dual Voltage 14/28VDC 150 Watt PFT12-60 Heating Element, Raised Heater Cover, two screws and wiring instructions)	1
13	14-00051	Fitting, 3/4" MNPT x 3/4" Push-on Hose Barb	1
14	14-00116	Fitting, 1/4" MJIC x 1/4" MNPT 90° Elbow	1
15	04-00079	Steel Metering Jet Bolt (Requires purchase of two 18-00038 O-Rings)	1
16	18-00038	O-Ring for Metering Jet Bolt	2



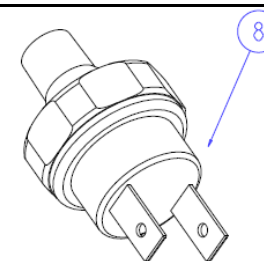
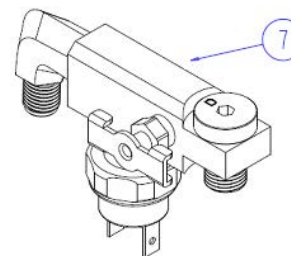
PFT60 BYPASS OIL FILTRATION UNIT



Exploded View of Metering Jet Assembly



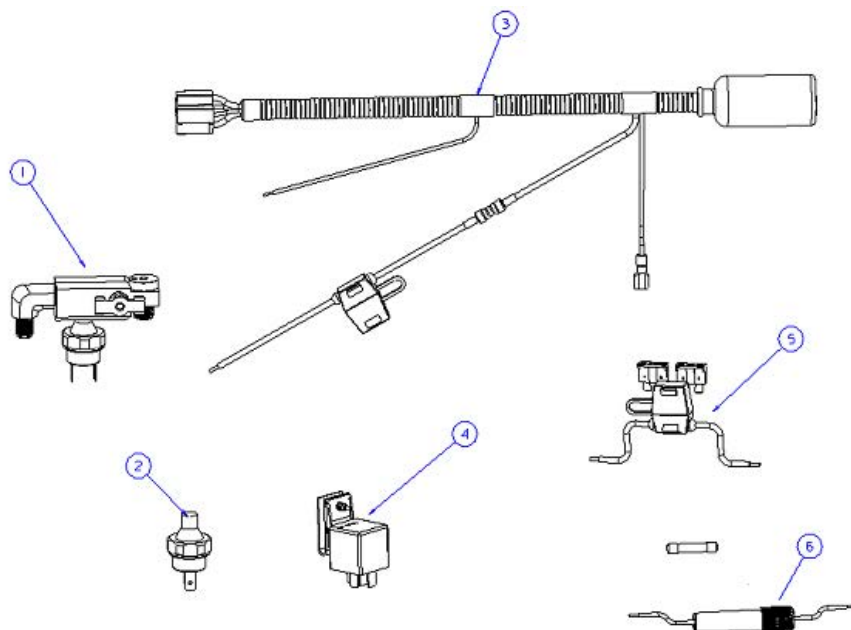
Optional: Metering Jet assembly with Pressure Switch →



ITEM	Puradyn P/N	PFT60 UNIT - SERVICEABLE PART DESCRIPTION	QTY
1	15-00093	Kit, PFT60 Main Body Assembly (Includes Sleeve, Head & Diffuser)	1
2	15-00109	Kit, PFT40/60 Lid (Includes PFT40/60 Lid and 18-00014 Rubber Lid Gasket)	1
3	18-00014	Rubber Lid Gasket, PFT40/60	1
4		Filter, Size 60 (See Filter Listing Manual 19-00201 for Available Filters)	1
5	15-00163	Kit, Clamp Set with Bolts, PFT40/60 (Includes one "W" and one "C" Clamp)	1
6a	15-00077	Kit, Outside Metering Jet Assembly, Low Pressure (<30 PSI)	1
6b	15-00080	Kit, PFT Outside Metering Jet Assembly, Standard Pressure Jet (30-65 PSI for PFT12-60)	1
6c	15-00081	Kit, PFT Outside Metering Jet Assembly, High Pressure Jet (65-100 PSI for PFT12-60)	1
7a	15-00040	Kit, Outside Metering Jet Assembly, Low Pressure (<30 PSI) with Pressure Switch	1
7b	15-00082	Kit, PFT Outside Metering Jet Assembly, Standard Pressure Jet (30-65 PSI for PFT12-60) with Pressure Switch	1
7c	15-00042	Kit, PFT Outside Metering Jet Assembly, High Pressure Jet (65-100 PSI for PFT12-60) with Pressure Switch	1
8	07-00007	Pressure Switch, without metering jet assembly	1
9	15-00168	Vent Valve Assembly, 1/4" NPT with Vent tube hose and Clamp	1
10	15-00164	Kit, 2 inch Clamp Set with Bolts, PFT12/24 (Includes one "W" and one "C" Clamp)	
11	17-00022	Spacer, 34" O.D. x 1" Long, PFT40-60	2
12	15-00047	Kit, PFT12-60 Dual Voltage Heater (Includes 3-Wire Dual Voltage 14/28VDC 150 Watt PFT12-60 Heating Element, Raised Heater Cover, two screws and wiring instructions)	1
13	14-00051	Fitting, 3/4" MNPT x 3/4" Push-on Hose Barb	1
14	14-00116	Fitting, 1/4" MJIC x 1/4" MNPT 90° Elbow	1
15	04-00079	Steel Metering Jet Bolt (Requires purchase of two 18-00038 O-Rings)	1
16	18-00038	O-Ring for Metering Jet Bolt	2



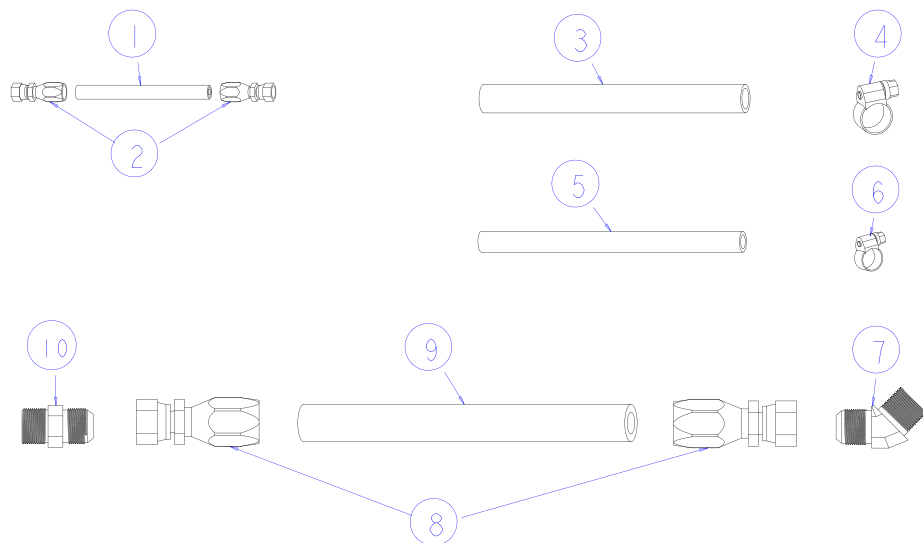
ELECTRICAL ACCESSORIES



ITEM	paraDYN P/N	PART DESCRIPTION	QTY.
1	15-00082	Kit, PFT Outside Metering Jet Assembly, Standard Pressure Jet (30-65 PSI for PFT12-60) with Pressure Switch	1
2	07-00007	Pressure Switch, without metering jet assembly	1
3a	15-00508	Kit, Electrical Harness 2-wire heater for 12-volt applications	1
3b	15-00509	Kit, Electrical Harness 2-wire heater for 24-volt applications	1
3c	15-00510	Kit, Electrical Harness 3-wire heater for 12-volt applications	1
3d	15-00511	Kit, Electrical Harness 3-wire heater for 24-volt applications	1
4	15-00120	Kit, Mounting Clip for Relay w/Relay- 12VDC	1
5	15-00507	Kit, Fuse Holder W/7.5A (24 VDC App.) & 15A (12VDC App.) Fuses	1
6	15-00506	Kit, 110/220 PFT & TF Electrical Kit 3-AMP Slow Blow Fuse	1



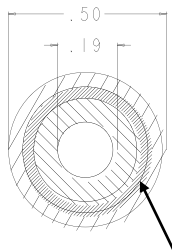
HOSES AND HOSE FITTINGS



“HOSE SPECIFICATIONS”

PRESSURE HOSE

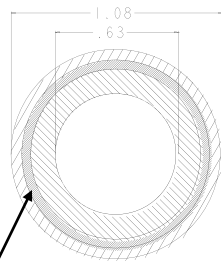
(3000 PSI)



Steel Braid

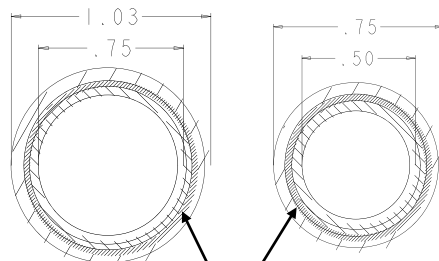
RETURN HOSE (OFF-ROAD)

(1500 PSI)



RETURN HOSE (PUSHLOCK)

(250 PSI)



Nylon Braid

ITEM	PuraDYN P/N	HOSE AND HOSE FITTING PART DESCRIPTION	QTY
1	08-00003	Pressure Hose, 3/16-ID, Steel Braided 3000 PSI	in or ft
2	14-00042	Hose Fitting, Crimp-On 1/4 FJIC	2
3	08-00006	Return Hose, 3/4-ID Nylon Braid Push lock, 250 PSI	in or ft
4	34-00010	Hose Clamp for 3/4-ID Return Hose	2
5	08-00002	Return Hose, 1/2-ID Nylon Braid Push lock, 250 PSI	in or ft
6	34-00020	Hose Clamp for 1/2-ID Return Hose	2
7	14-00118	Fitting, 3/4 MJIC X 3/4 NPT 45	1
8	14-00106	Hose Fitting, 3/4 FJIC (Re-Usable)	2
9	08-00004	Return Hose, 5/8-ID, Steel Braided 1500 PSI (Off-Road)	in or ft
10	14-00053	Fitting, 3/4 MJIC X 3/4 NPT	1