

VOLVO

Volvo Trucks North America, Inc.

October 28, 2004

Mr. Don Jackson, Regional Manager
puraDYN Filter Technologies
5204 Huntingwood Drive
Pleasant Garden, NC 27313

Dear Mr. Jackson:

In response to your inquiry dated July 9, 2004, Volvo neither approves nor disapproves the use of the puraDYN filter on Volvo engines. The use of non-Volvo products are at the discretion of the end-user. Any problems attributed to the product in question would not be recognized as a Volvo responsibility.

Our warranty covers defects in material and/or workmanship as manufactured and sold by Volvo. Therefore, the use of any product sold in the marketplace and not manufactured by Volvo would not affect our warranty.

The Volvo name, Volvo trademark, and Volvo logo are the property of Volvo and are not to be used in the advertising or promotional activity by anyone except with express written authority of Volvo.

Volvo requests that any use of or reference to this letter or its content must include the full text of the letter to assure clarity regarding warranty responsibility for the supplier's product.

Nothing in this letter is to be construed as authorization by Volvo to use Volvo name, trademark or logo in the sale or promotional activity of your product.

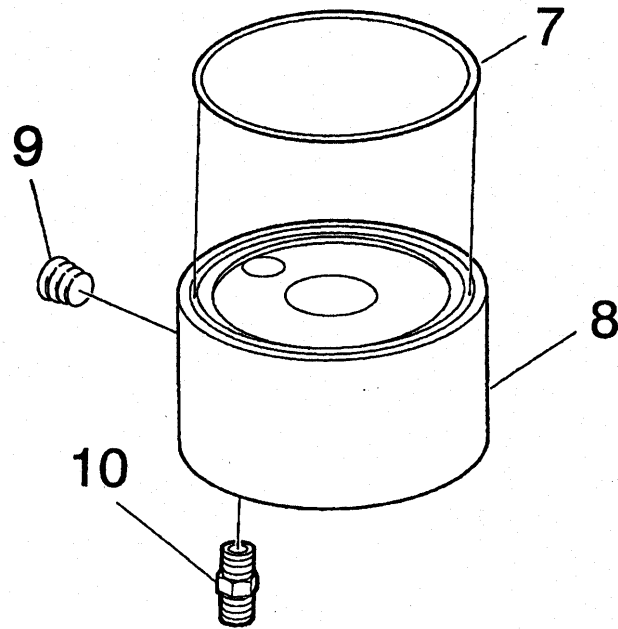
Sincerely,


Greg Holderfield,
Director, Technical Support Services

****Note:** Installation requirements: Alteration of the original Oil System (by-pass filter) will require the use of a Volvo adapter (see illustration) to maintain proper balance and lubrication properties.

Cc: Peter Carlstrom, Volvo Powertrain
Ken Culver, Volvo Trucks North America
Mark Curri, Volvo Trucks North America

Enclosure: Filter installation illustration and suitable part list



#	P/N	QTY	Desc.
7	948981	1	O-Ring
8	20504748	1	Adapter
9	3082920	1	Plug
10	8084358	1	Nipple